

RoHS Compliant

NBK®

No.E-9941

Vibration Isolation Foot Jack

Material BFJ : SS400 BFJ-S : SUS304

Pad: Polyurethane vibration isolation pad

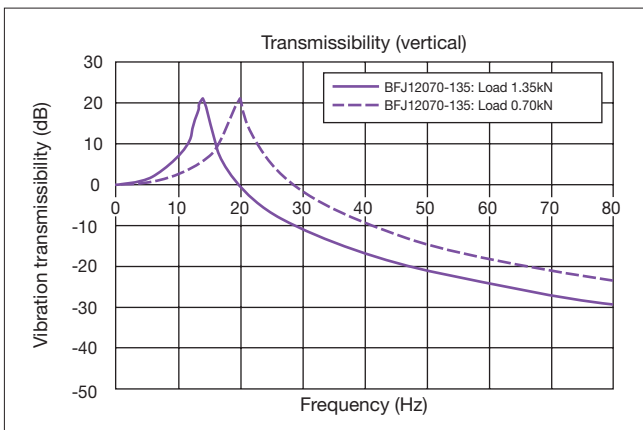
Surface Treatment BFJ: Electrostatic painting
BFJ-S: Electrolytic polishing

● Vibration isolation of industrial machinery

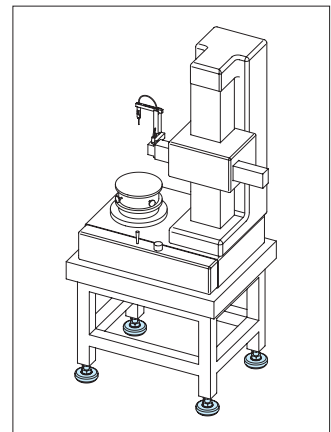
BFJ	
BFJ08060-017, BFJ12070-032 BFJ16070-045, BFJ20100-045	Using the vibration isolation pad GSD0300
BFJ12070-060, BFJ16070-090 BFJ20100-090	Using the vibration isolation pad GSD0600
BFJ12070-135, BFJ16070-200 BFJ20100-200	Using the vibration isolation pad GSD1300
BFJ-S	
BFJ08060S-017, BFJ12070S-030 BFJ16070S-045, BFJ20100S-045	Using the vibration isolation pad GSD0300
BFJ12070S-060, BFJ16070S-085 BFJ20100S-085	Using the vibration isolation pad GSD0600
BFJ12070S-135, BFJ16070S-195 BFJ20100S-195	Using the vibration isolation pad GSD1300

- This foot jack is equipped with a level adjustment mechanism and a vibration isolation function.
- Offers higher performance compared to rubber pad products. Since it is highly solvent resistance, no transfer occurs to the floor.
- The bolt connection is flexible and thus absorbs floor surface inclination.
- Uses 3 kinds of pads according to the vibration frequency, machinery type, and weight.

■ Transmission Characteristics Graph



Usage Examples



⚠ Cautions on installation

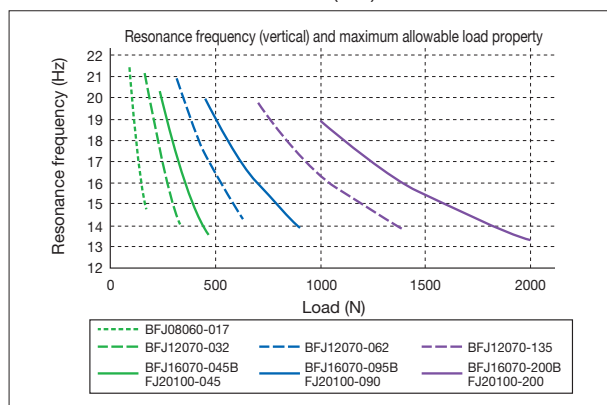
- After the level adjustment, tighten the nut and secure the jack. If the jack is not secured, the performance cannot be obtained.

Vibration Isolation Foot Jack

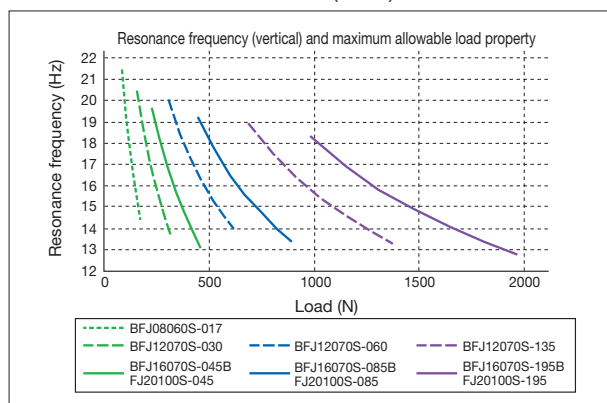
Specifications and Prices

Order No.	No.	A (Coarse Thread)	B	C	D	E	F	G	Weight (g)	Maximum Allowable Load (kN)
100933	BFJ08060 -017	M 8 × 1.25	60	81	5.5	15.5	40	13	70	0.09-0.17
100934	BFJ12070 -032	M12 × 1.75	70	93.5	8	15.5	50	19	150	0.17-0.32
100935	BFJ12070 -060	M12 × 1.75	70	93.5	8	15.5	50	19	150	0.32-0.60
100936	BFJ12070 -135	M12 × 1.75	70	93.5	8	15.5	50	19	150	0.70-1.35
100937	BFJ16070 -045	M16 × 2.0	70	96.5	10	16.5	60	24	250	0.25-0.45
100938	BFJ16070 -090	M16 × 2.0	70	96.5	10	16.5	60	24	250	0.45-0.90
100939	BFJ16070 -200	M16 × 2.0	70	96.5	10	16.5	60	24	250	1.00-2.00
101984	BFJ20100 -045	M20 × 2.5	100	130.5	13	17.5	60	30	400	0.25-0.45
101985	BFJ20100 -090	M20 × 2.5	100	130.5	13	17.5	60	30	400	0.45-0.90
101986	BFJ20100 -200	M20 × 2.5	100	130.5	13	17.5	60	30	400	1.00-2.00
101987	BFJ08060S-017	M 8 × 1.25	60	81	5.5	15.5	40	13	70	0.09-0.17
101988	BFJ12070S-030	M12 × 1.75	70	94.5	8	16.5	50	19	150	0.16-0.30
101989	BFJ12070S-060	M12 × 1.75	70	94.5	8	16.5	50	19	150	0.31-0.60
101990	BFJ12070S-135	M12 × 1.75	70	94.5	8	16.5	50	19	150	0.70-1.35
101991	BFJ16070S-045	M16 × 2.0	70	97.5	10	17.5	60	24	260	0.23-0.45
101992	BFJ16070S-085	M16 × 2.0	70	97.5	10	17.5	60	24	260	0.45-0.85
101993	BFJ16070S-195	M16 × 2.0	70	97.5	10	17.5	60	24	260	1.00-1.95
101994	BFJ20100S-045	M20 × 2.5	100	131.5	13	18.5	60	30	420	0.23-0.45
101995	BFJ20100S-085	M20 × 2.5	100	131.5	13	18.5	60	30	420	0.45-0.85
101996	BFJ20100S-195	M20 × 2.5	100	131.5	13	18.5	60	30	420	1.00-1.95

Each Plate Characteristics Data (BFJ)



Each Plate Characteristics Data (BFJ-S)

Jig Set-up Systems
(Q-lock)

Base Elements

Clamp Units

Clamping Parts

Mechanical Parts

Machine Vises

Surface Plates and
Measurement Instruments

Index