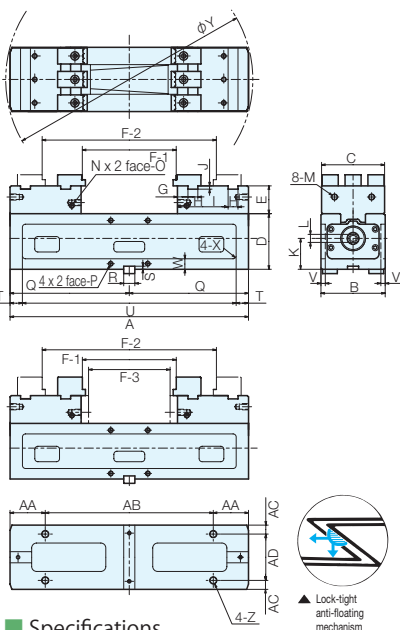
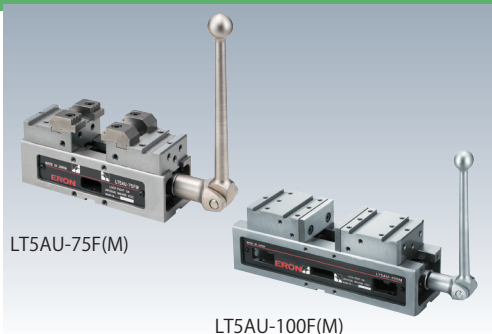


Lock-Tight 5 Axis Machine Visas



- Supports a wide variety of workpieces
Attachment of the jaw plates can be selected from four different positions, making it possible to support a wide variety of different workpieces.
- Lock-tight anti-floating mechanism
Workpieces can be prevented from lifting up by applying force onto the sliding jaw at an angle of 45 degrees downwards using a semi-spherical segment.
- Replaceable jaw plates
Includes 2 different jaw plates as standard, allowing you to use the best jaw plates for the machining conditions.
- Workpieces can always be clamped in the center position of the vise, removing the work of programming.

Accessories

LT5AU-75F(M)

- Step sliding jaws (grid type) LT5AU-75SJG-8 (2 pieces per set) ... 2 sets
- Step sliding jaws (depth 20) LT5AU-75SJ-20 (2 pieces per set) ... 1 set
- Standard clamping set BCS14Q1 (2 pieces per set) ... 2 sets
- Standard guide block LTGB14-14 (2 pieces per set) ... 1 set
- Standard handle LT-10HN250 ... 1 piece

LT5AU-100F (M)

- Step sliding jaws (grid type) LT5AU-100SJG-8 (6 pieces per set) ... 1 set
- Step sliding jaws (depth 20) LT5AU-100SJ-20 (2 pieces per set) ... 1 set
- Standard clamping set BCS18Q1 (2 pieces per set) ... 2 sets
- Standard guide block LTGB18-18 (2 pieces per set) ... 1 set
- Standard handle LT-13HN250, LT-13HN370 ... 1 piece of each

Specifications

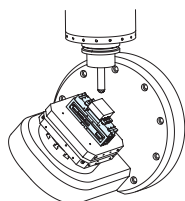
Order No.	No.	Jaw Width	Total Length	Standard Guide Block Width	Standard Clamp Compatible T-Slot Width	Clamping Force (kN)	Weight (kg)
101710	LT5AU75FM	75	236	14	14	16	10
993018	LT5AU75F	75	286	14	14	16	12
991542	LT5AU100FM	102	386	18	18	20	24
991540	LT5AU100F	102	484	18	18	20	26

Size Chart

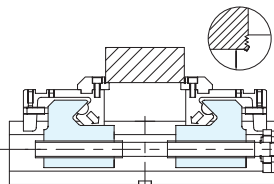
No.	A	B	C	D	E	F-1	F-2	F-3	G	H	I	J	K	L	M	N
LT5AU75FM	236	77	75	65	30	14-58	94-138	0-34	17	16	57	5	39	10	M8x1.25	2
LT5AU75F	286	77	75	65	30	22-108	94-188	0-80	17	16	57	5	39	10	M8x1.25	2
LT5AU100FM	386	104	102	90	45	28-148	158-278	8-128	17	16	82	5	50	13	M10x1.5	4
LT5AU100F	484	104	102	90	45	28-246	158-376	8-226	17	16	82	5	50	13	M10x1.5	4

No.	O	P	Q	R	S	T	U	V	W	X	Y	Z	AA	AB	AC	AD
LT5AU75FM	M8x1.25	M8x1.25	118	14	4	30	176	5	12	R5	250	M10x1.5	31	174	13.5	50
LT5AU75F	M8x1.25	M8x1.25	143	14	4	30	226	5	12	R5	300	M10x1.5	56	174	13.5	50
LT5AU100FM	M8x1.25	M8x1.25	193	18	5	20	346	7	17	R5	400	M12x1.75	57	272	14.5	75
LT5AU100F	M8x1.25	M8x1.25	242	18	5	20	444	7	17	R5	500	M12x1.75	57	370	14.5	75

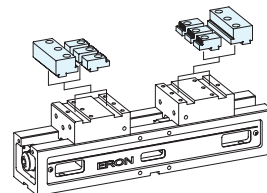
Level raising structure that avoids interference with the main axis



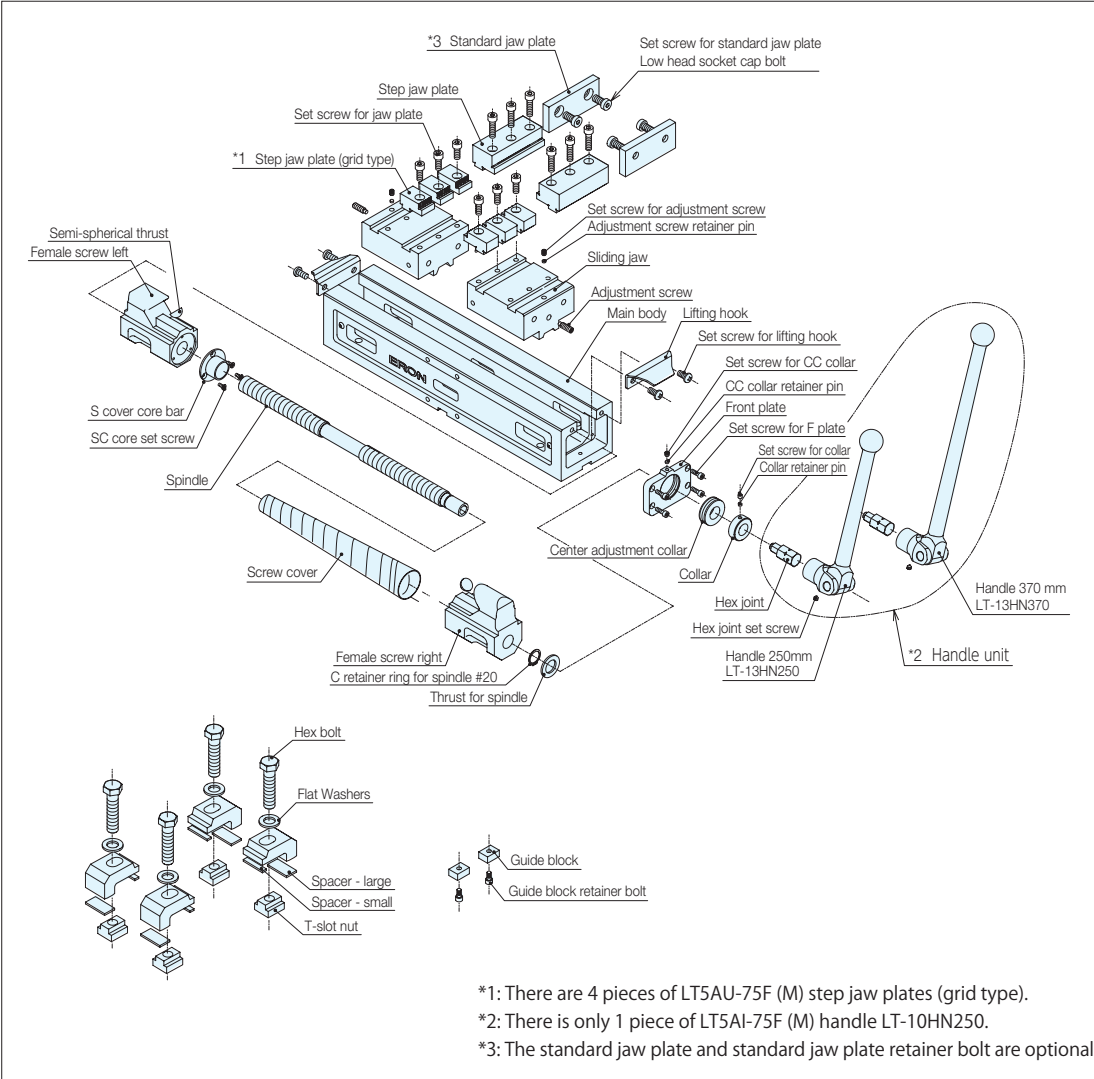
Lock-tight anti-floating mechanism



2 types of jaw plates included as standard



Parts Detail



Reference Pages



Jig Set-up Systems (Q-lock)

Base Elements

Clamp Units

Clamping Parts

Mechanical Parts

Machine Vises

Surface Plates and Measurement Instruments

Index