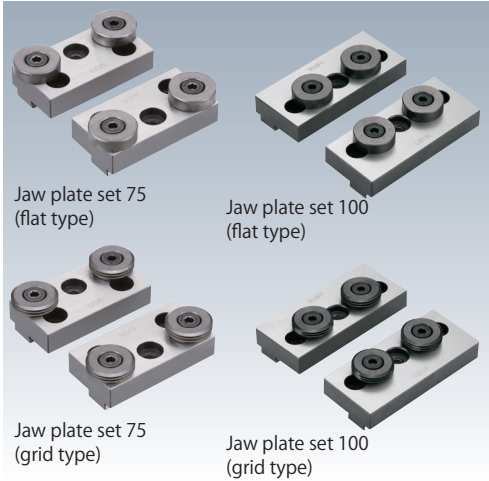


Lock-Tight 5 Axis Machine Vises

Universal Jaw Plate Sets



Jaw plate set 75 (flat type)

Jaw plate set 100 (flat type)

Jaw plate set 75 (grid type)

Jaw plate set 100 (grid type)

- Set Contents**
- Base ... 1 piece
 - Round jaw plate (flat, grid) ... 2 pieces (either type)
 - Hex bolt M8 × 16 ... 2 pieces
 - Low head socket cap bolt M8 × 15 ... 2 pieces

- Makes it possible to clamp circular workpieces and Irregular shaped workpieces using Lock-Tight 5 Axis Machine Vises.
- Use as the combination of the base and round jaw plates.

Usage Examples

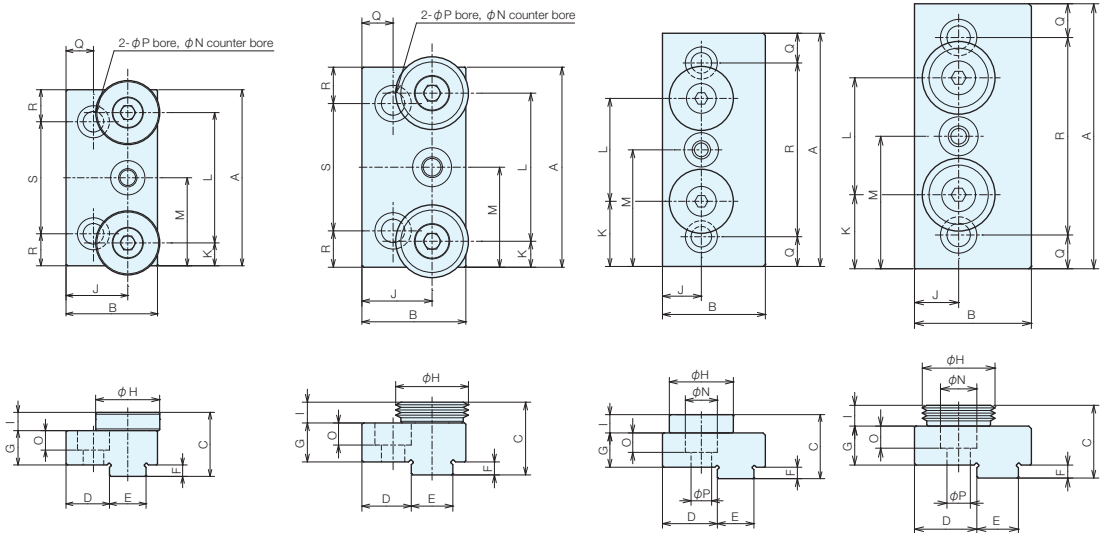


Jaw plate set 75 (flat type)

Jaw plate set 75 (grid type)

Jaw plate set 100 (flat type)

Jaw plate set 100 (grid type)



Specifications

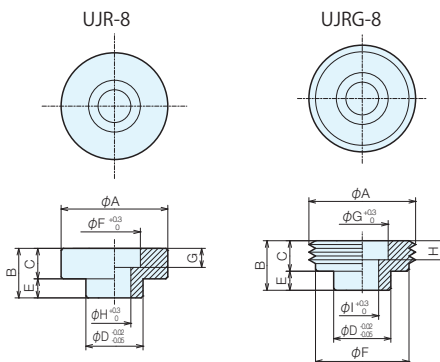
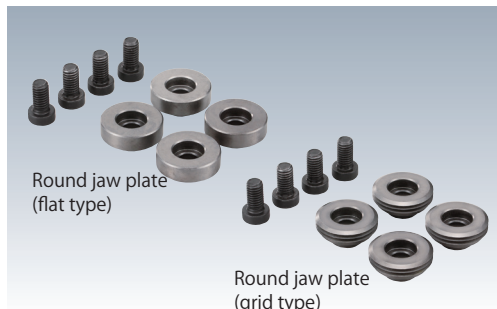
(2 pieces per set)

Order No.	No.	Compatible Models	Type	Weight (kg)
997945	UJS75-RRG	LT5AU-75(F,FM)	Flat and grid	1.1
997943	UJS75-R	LT5AU-75(F,FM)	Flat	0.9
997944	UJS75-RG	LT5AU-75(F,FM)	Grid	0.9
997237	UJS100-RRG	LT5AU-100(M,F,FM)	Flat and Grid	1.5
997235	UJS100-R	LT5AU-100(M,F,FM)	Flat	1.3
997236	UJS100-RG	LT5AU-100(M,F,FM)	Grid	1.3

Size Chart

No.	A	B	C	D	E	F	G	H	I	J	K	L	M	N	O	P	Q	R	S
UJS75-(R,RG,RRG)	77	40	28	19	16	5	15	28	8	27	10	57	38.5	14	8.5	9	12	14	49
UJS100-(R,RG,RRG)	102	45	28	24	16	5	15	28	8	17	28.5	45	51	14	8.5	9	13	76	-

Universal Round Jaw Plates

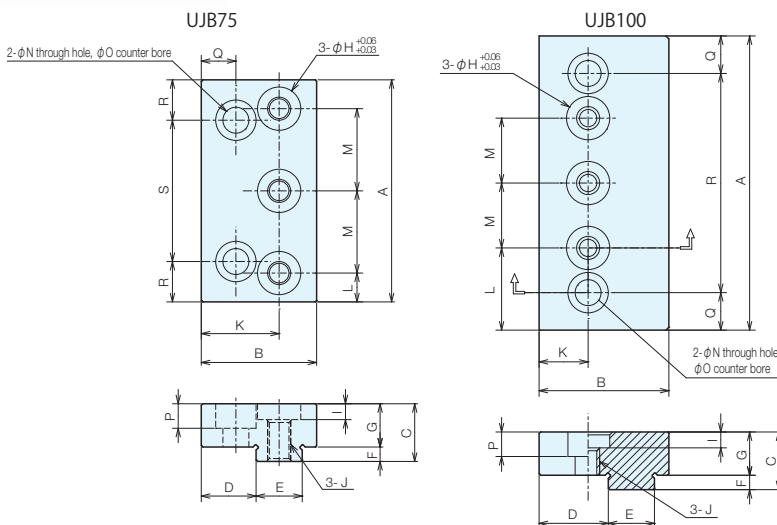
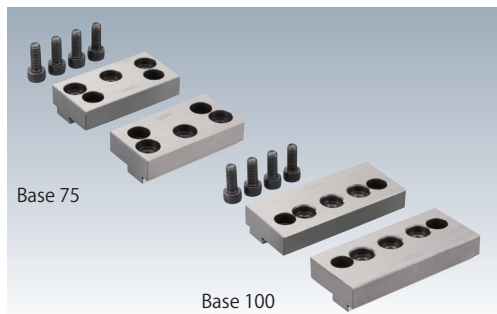


Specifications

Order No.	No.	Compatible Models	Type	A	B	C	D	E	F	G	H	I	Weight (kg)
997239	UJR8	LT5AU all sizes	Flat	28	13	8	15	5	13.6	5	8.3	-	0.2
997240	UJRG8	LT5AU all sizes	Grid	28	13	8	15	5	24.5	13.6	5	8.6	0.2

(4 pieces per set)

Universal Bases



Specifications

Order No.	No.	Compatible Models	A	B	C	D	E	F	G	H
997946	UJB75	LT5AU-75(F,F,M)	77	40	20	19	16	5	15	15
997238	UJB100	LT5AU-100(M,F,F,M)	102	45	20	24	16	5	15	15

No.	I	(Coarse Thread)	K	L	M	N	O	P	Q	R	S	Weight (kg)
UJB75	5.5	M8X1.25	27	10	28.5	9	14	8.5	12	14	49	0.7
UJB100	5.5	M8X1.25	17	28.5	22.5	9	14	8.5	13	76	-	1.1

(2 pieces per set)

Jig Set-up Systems (Q-lock)

Base Elements

Clamp Units

Clamping Parts

Mechanical Parts

Machine Vises

Surface Plates and Measurement Instruments

Index