

RoHS Compliant

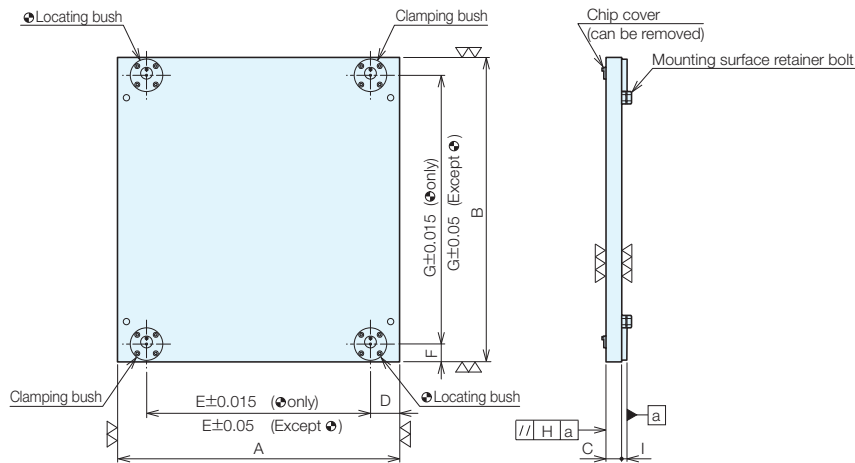
ERON®

No.E-9659P

Attachment Plates with Q-Lock Elements

Material Plate: S50C Q-Lock Elements: SCM440**Heat Treatment** Q-Lock Elements: Heat treatment (HRC55)**Surface Treatment** Q-Lock Elements: Non-electrolytic plating**Accessories** Eye bolt

- Attachment plates for 2 Faces/MC Tooling Blocks with Q-Lock Elements.
- Locating holes are fitted with hardened bushes, and finished with a high pitch accuracy of ± 0.015 .
- Should be used with holes and grooves machined by the user to match the workpiece as an attachment plate for the tooling blocks.

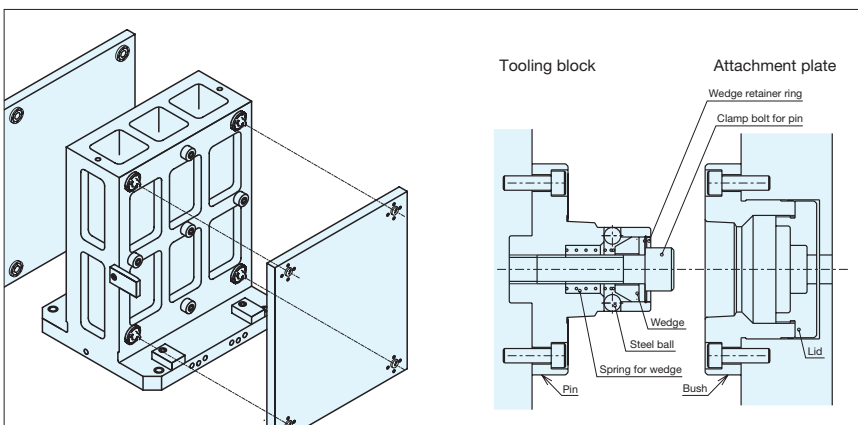


Specifications

Order No.	No.	A	B	C	D	E	F	G	H	I	Locating Bush	Clamping Bush	Weight (kg)
983084	TBQ400TS-PL	400	485	30	40	320	50	400	0.02	10	QLT26RB	QLT26CB	46
968874	TBQ500TS-PL	500	580	30	50	400	40	500	0.02	10	QLT26RB	QLT26CB	67
968875	TBQ630TS-PL	630	680	35	65	500	40	600	0.02	12	QLT32RB	QLT32CB	100

* Custom-made products to suit your specifications are also available.

Usage Examples

Jig Set-up Systems
(Q-Lock)

Base Elements

Clamp Units

Clamping Parts

Mechanical Parts

Machine Vises

Surface Plates and
Measurement Instruments

Index