

Standard Type



Quick Type



RoHS Compliant

ERON®

No.E-9659C

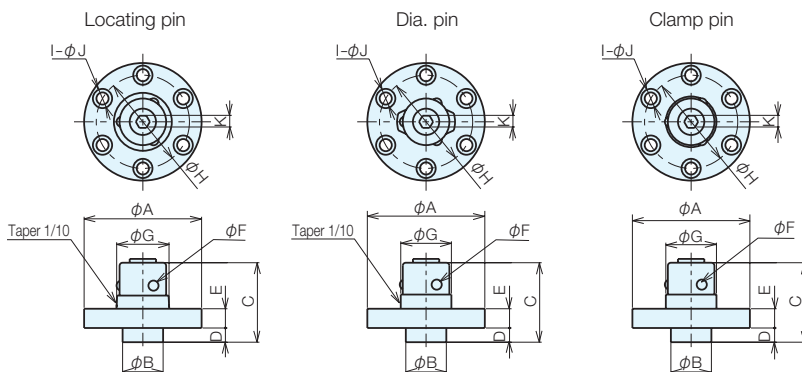
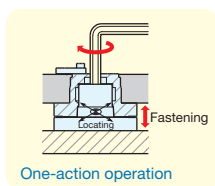
Q-Lock Elements/Pins (Screw Type)

Material Main body: SCM440 Steel balls: SUJ2

Heat Treatment Main body: HRC55 heat treatment
Steel balls: HRC62 heat treatment

Types and External Dimensions

Standard Type/Quick Type



Pin (Standard Type) Specifications

Type	Order No.	No.	A	B ^{-0.003 -0.013}	C	D	E ± 0.005	F	G	H	I	J	K	Weight (g)
Locating pin	966261	QLT19RP	45	15	31.3	6	7	4	19	36	4	4.5	5	110
	966262	QLT26RP	58	20	39.2	7	10	5	26	46	4	6	6	260
	966263	QLT32RP	72	25	49	8.5	12	6	32	58	4	7	8	500
	967647	QLT40RP	88	28	59	9.5	15	7	40	72	6	7	10	950
Dia. pin	966258	QLT19DP	45	15	31.3	6	7	4	19	36	4	4.5	5	110
	966259	QLT26DP	58	20	39.2	7	10	5	26	46	4	6	6	260
	966260	QLT32DP	72	25	49	8.5	12	6	32	58	4	7	8	500
	967648	QLT40DP	88	28	59	9.5	15	7	40	72	6	7	10	950
Clamp pin	966255	QLT19CP	45	15	31.3	6	7	4	17.8	36	4	4.5	5	110
	966256	QLT26CP	58	20	39.2	7	10	5	25	46	4	6	6	260
	966257	QLT32CP	72	25	49	8.5	12	6	30	58	4	7	8	500
	967649	QLT40CP	88	28	59	9.5	15	7	37	72	6	7	10	950

Pin (Quick Type) Specifications

Type	Order No.	No.	A	B ^{-0.003 -0.013}	C	D	E ± 0.005	F	G	H	I	J	K	Weight (g)
Locating pin	991492	QLTF19RP	45	15	31.3	6	7	4	19	36	4	4.5	5	110
	991493	QLTF26RP	58	20	39.2	7	10	5	26	46	4	6	6	260
	991494	QLTF32RP	72	25	49	8.5	12.5	6	32	58	4	7	8	500
	991495	QLTF40RP	88	28	59	9.5	15	7	40	72	6	7	10	950
Dia. pin	991496	QLTF19DP	45	15	31.3	6	7	4	19	36	4	4.5	5	110
	991497	QLTF26DP	58	20	39.2	7	10	5	26	46	4	6	6	260
	991498	QLTF32DP	72	25	49	8.5	12.5	6	32	58	4	7	8	500
	991499	QLTF40DP	88	28	59	9.5	15	7	40	72	6	7	10	950
Clamp pin	991500	QLTF19CP	45	15	31.3	6	7	4	17.8	36	4	4.5	5	110
	991501	QLTF26CP	58	20	39.2	7	10	5	25	46	4	6	6	260
	991502	QLTF32CP	72	25	49	8.5	12.5	6	30	58	4	7	8	500
	991503	QLTF40CP	88	28	59	9.5	15	7	37	72	6	7	10	950

Jig Set-up Systems
(Q-Lock)

Base Elements

Clamp Units

Clamping Parts

Mechanical Parts

Machine Vises

Surface Plates and
Measurement Instruments

Index

Clutch Type



RoHS Compliant

ERON®

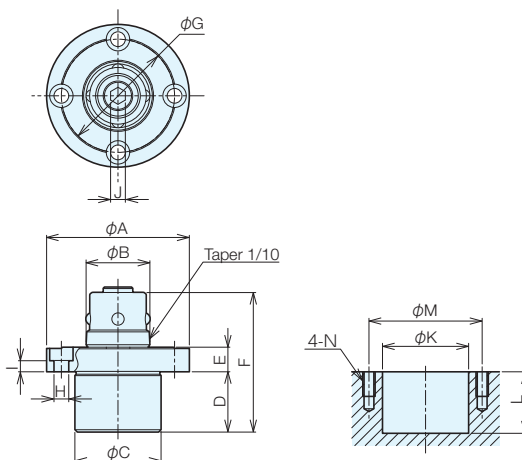
No.E-9659C

Q-Lock Elements/Pins (Clutch Type)

Material Main body: SCM440 Steel balls: SUJ2

Heat Treatment Main body: HRC55 heat treatment
Steel balls: HRC62 heat treatment

Clutch Type

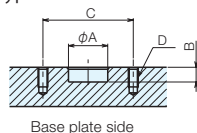


Pin (Clutch Type) Specifications

Type	Order No.	No.	A	B	C ^{-0.005 -0.016}	D	E ^{± 0.005}	F	G	H	I	J	Weight (g)
Locating pin	109775	QLTC26RP	58	26	36	24.5	10	56.7	46	6	4.5	6	400
Dia. pin	109776	QLTC26DP	58	26	36	24.5	10	56.7	46	6	4.5	6	400
Clamp pin	109777	QLTC26CP	58	24	36	24.5	10	56.7	46	6	4.5	6	400

■ Mounting Dimensions

Standard Type/Quick Type/Side
Operation Type
Clutch Type



No.	A	B	C	D
QLT(F)19	15 ^{+0.011 0}	6.5	36	4-M4 depth 8
QLT(F)26	20 ^{+0.013 0}	7.5	46	4-M5 depth 10
QLT(F)32	25 ^{+0.013 0}	9	58	4-M6 depth 12
QLT(F)40	28 ^{+0.013 0}	10	72	6-M6 depth 12
QLTS26	36 ^{+0.016 0}	12.5	58	4-M5 depth 10
QLTS40	58 ^{+0.019 0}	15	86	6-M6 depth 12
QLTC26	36 ^{+0.016 0}	25	46	4-M5 depth 10

Jig Set-up Systems
(Q-Lock)

Base Elements

Clamp Units

Clamping Parts

Mechanical Parts

Machine Vises

Surface Plates and
Measurement Instruments

Index