

RoHS Compliant



No.E-9559

MC Tooling Blocks (2 Faces/Overhang Type)

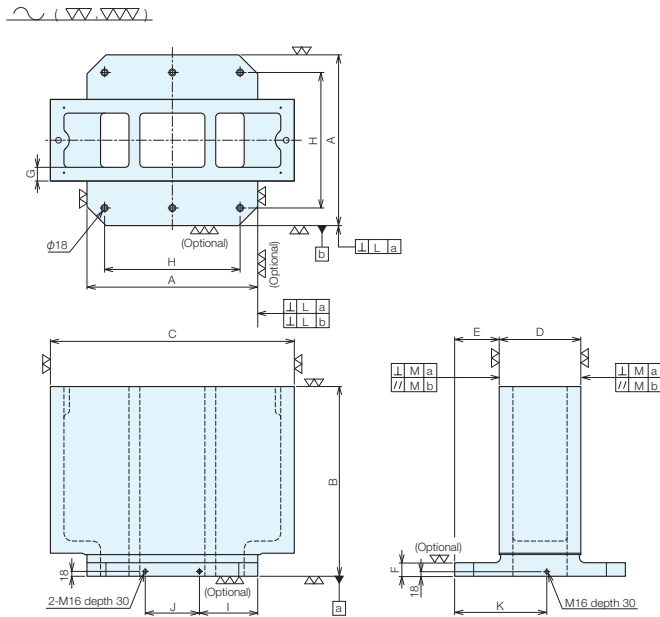
Material FC250

Heat Treatment Annealing

Surface Treatment Painting (Cast Surface)

Accessories Top Plates, Set Screws for Top Plate, Eye Bolts

- The used surface, which is larger than the base dimensions, is effective for a large workpiece or multiple workpieces.
- 0.4-0.5 mm of self-cut allowance is included on the used surface.
- The same accuracy as the machine you are using is possible from the self-cut.
- Your preferred machining such as tapping and grooves can be done using the machine you are using.
- Bottom and 2 adjacent edge locator surfaces can be ground finished, and the top surface of the base plate can be machine finished as options.



Size Chart

No.	A	F	H	Number of Mounting Holes	I	J	K	L	M
TOS04S-*****	400	40	320	4	145	110	225	0.02/300	0.02/300
TOS05S-*****	500	50	400	6	175	150	275	0.02/300	0.02/300
TOS06S-*****	630	50	500	6	215	200	340	0.02/300	0.02/300
TOS08S-*****	800	50	640	6	265	270	425	0.02/300	0.02/300

Optional Ground Finish and Machined Finish

No.	L	M
<input type="checkbox"/> 400	0.01/500	0.01/300
<input type="checkbox"/> 500 (up to height 800)	0.01/500	0.01/300
<input type="checkbox"/> 500 (Height 900)	0.01/500	0.01/300
<input type="checkbox"/> 630 (up to height 800)	0.01/500	0.01/300
<input type="checkbox"/> 630 (height 900 or more)	0.01/500	0.01/300
<input type="checkbox"/> 800	0.01/500	0.01/300

Jig Set-up Systems (Q-lock)

Base Elements

Clamp Units

Clamping Parts

Mechanical Parts

Machine Vises

Surface Plates and Measurement Instruments

Index

Specifications and Prices

Order No.	No.	B	C	D	E	G	Weight (kg)
115415	TOS04S-15050A	500	450	150.8	124.6	50	217
115416	TOS04S-15050B	500	550	150.8	124.6	50	250
115417	TOS04S-20050A	500	450	200.8	99.6	50	237
115418	TOS04S-20050B	500	550	200.8	99.6	50	272
115419	TOS04S-25050A	500	450	250.8	74.6	50	258
115420	TOS04S-25050B	500	550	250.8	74.6	35	229
115421	TOS04S-15060A	600	450	150.8	124.6	50	255
115422	TOS04S-15060B	600	550	150.8	124.6	35	233
115423	TOS04S-20060A	600	450	200.8	99.6	50	281
115424	TOS04S-20060B	600	550	200.8	99.6	35	252
115425	TOS04S-25060A	600	450	250.8	74.6	35	237
115426	TOS04S-25060B	600	550	250.8	74.6	35	271
115427	TOS04S-15070A	700	450	151	124.5	35	233
115428	TOS04S-15070B	700	550	151	124.5	35	268
115429	TOS04S-20070A	700	450	201	99.5	35	253
115430	TOS04S-25070A	700	450	251	74.5	35	274
115431	TOS05S-20060A	600	630	200.8	149.6	50	389
115432	TOS05S-20060B	600	750	200.8	149.6	35	345
115433	TOS05S-25060A	600	630	251	124.5	35	322
115434	TOS05S-25060B	600	750	251	124.5	35	362
115435	TOS05S-20070A	700	630	201	149.5	35	349
115436	TOS05S-20070B	700	750	201	149.5	35	393
115437	TOS05S-25070A	700	630	251	124.5	35	368
115438	TOS05S-25070B	700	750	251	124.5	35	414
115439	TOS05S-20080A	800	630	201	149.5	35	392
115440	TOS05S-20080B	800	750	201	149.5	35	442
115441	TOS05S-25080A	800	630	251	124.5	35	414
115442	TOS05S-25080B	800	750	251	124.5	35	466
115443	TOS05S-20090A	900	630	201	149.5	35	434
115444	TOS05S-20090B	900	750	201	149.5	35	491
115445	TOS05S-25090A	900	630	251	124.5	35	460
115446	TOS05S-25090B	900	750	251	124.5	35	519
115447	TOS06S-25070A	700	800	251	189.5	50	623
115448	TOS06S-25070B	700	900	251	189.5	50	682
115449	TOS06S-30070A	700	800	301	164.5	50	658
115450	TOS06S-30070B	700	900	301	164.5	50	721
115451	TOS06S-35070A	700	800	351	139.5	50	692
115452	TOS06S-35070B	700	900	351	139.5	50	760
115453	TOS06S-25080A	800	800	251	189.5	50	701
115454	TOS06S-25080B	800	900	251	189.5	50	768
115455	TOS06S-30080A	800	800	301	164.5	50	742
115456	TOS06S-30080B	800	900	301	164.5	50	814
115457	TOS06S-35080A	800	800	351	139.5	50	782
115458	TOS06S-35080B	800	900	351	139.5	50	859
115459	TOS06S-25090A	900	800	251	189.5	50	779
115460	TOS06S-25090B	900	900	251	189.5	50	855
115461	TOS06S-30090A	900	800	301	164.5	50	826
115462	TOS06S-30090B	900	900	301	164.5	50	907
115463	TOS06S-35090A	900	800	351	139.5	50	873
115464	TOS06S-35090B	900	900	351	139.5	50	963
115465	TOS06S-25100A	1000	800	251	189.5	50	857
115466	TOS06S-25100B	1000	900	251	189.5	50	941
115467	TOS06S-30100A	1000	800	301	164.5	50	910
115468	TOS06S-30100B	1000	900	301	164.5	40	854
115469	TOS06S-35100A	1000	800	351	139.5	50	967
115470	TOS06S-35100B	1000	900	351	139.5	40	901
115471	TOS08S-25080A	800	950	251	274.5	50	862
115472	TOS08S-25080B	800	1100	251	274.5	50	953
115473	TOS08S-30080A	800	950	301	249.5	50	900
115474	TOS08S-30080B	800	1100	301	249.5	50	993
115475	TOS08S-35080A	800	950	351	224.5	50	937
115476	TOS08S-35080B	800	1100	351	224.5	50	1033
115477	TOS08S-40080A	800	950	401	199.5	50	978
115478	TOS08S-40080B	800	1100	401	199.5	50	1073
115479	TOS08S-25090A	900	950	251	274.5	50	955
115480	TOS08S-25090B	900	1100	251	274.5	50	1053
115481	TOS08S-30090A	900	950	301	249.5	50	999
115482	TOS08S-30090B	900	1100	301	249.5	50	1099
115483	TOS08S-35090A	900	950	351	224.5	50	1042
115484	TOS08S-35090B	900	1100	351	224.5	50	1145
115485	TOS08S-40090A	900	950	401	199.5	50	1086
115486	TOS08S-40090B	900	1100	401	199.5	50	1192
115487	TOS08S-25100A	1000	950	251	274.5	50	1044
115488	TOS08S-25100B	1000	1100	251	274.5	50	1153
115489	TOS08S-30100A	1000	950	301	249.5	50	1094
115490	TOS08S-30100B	1000	1100	301	249.5	50	1206
115491	TOS08S-35100A	1000	950	351	224.5	50	1144
115492	TOS08S-35100B	1000	1100	351	224.5	50	1258
115493	TOS08S-40100A	1000	950	401	199.5	50	1194
115494	TOS08S-40100B	1000	1100	401	199.5	50	1310
115495	TOS08S-25120A	1200	950	251	274.5	50	1222
115496	TOS08S-25120B	1200	1100	251	274.5	50	1353
115497	TOS08S-30120A	1200	950	301	249.5	50	1284
115498	TOS08S-30120B	1200	1100	301	249.5	50	1418
115499	TOS08S-35120A	1200	950	351	224.5	50	1347
115500	TOS08S-35120B	1200	1100	351	224.5	50	1483
115501	TOS08S-40120A	1200	950	401	199.5	50	1409
115502	TOS08S-40120B	1200	1100	401	199.5	50	1548

* Custom-made products to suit your specifications are also available.

Please specify your desired dimensions and weight.

Palette Size	B	C	D	Weight (kg)

Jig Set-up Systems
(Q-lock)

Base Elements

Clamp Units

Clamping Parts

Mechanical Parts

Machine Vises

Surface Plates and
Measurement Instruments

Index