



RoHS Compliant



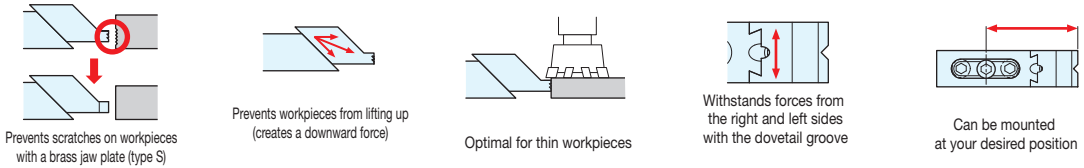
No.E-9409, No.E-9420

# Toe Adjustment Clamping

Part Name	Material	Heat Treatment	Surface Treatment
Main Body	S45C	HRC30 heat treatment	Blackened
Movable Body	S45C	HRC30 heat treatment	Blackened

**Accessories** Allen key (TAC only), washer (TCL and TCH only)

- Tightening while pushing the movable body downwards enables you to prevent workpieces from lifting.



## Specifications and Prices

Global specifications

Clamp Height	Clamping Stroke	Recommended Torque N·m	Recommended Clamping Force kN
22	5	12	7

Jig Set-up Systems (Q-lock)

Base Elements

Clamp Units

Clamping Parts

Mechanical Parts

Machine Vises

Surface Plates and Measurement Instruments

Index



Standard specifications for thin type (2 pcs per set)

Order No.	No.	Compatible Bolt	Total Length	Weight kg
940947	TCL112	M12	106	0.9
940948	TCL212	M12	140	1.2
940949	TCL312	M12	189	1.5
900371	TAC1	M14	105	0.9
900372	TAC2	M14	140	1.2
900373	TAC3	M14	189	1.5
940950	TCL116	M16	105	0.9
940951	TCL216	M16	140	1.2
940952	TCL316	M16	189	1.5

Specifications for thin type and brass jaw plate (2 pcs per set)

Order No.	No.	Compatible Bolt	Total Length	Weight kg
940953	TCL112S	M12	105	0.9
940954	TCL212S	M12	140	1.2
940955	TCL312S	M12	189	1.5
940956	TCL116S	M16	105	0.9
940957	TCL216S	M16	140	1.2
940958	TCL316S	M16	189	1.5



Standard specifications for flat type (2 pcs per set)

Order No.	No.	Compatible Bolt	Total Length	Weight kg
940959	TCH112	M12	105	1.0
940960	TCH212	M12	140	1.3
940961	TCH312	M12	189	1.6
940962	TCH116	M16	105	1.0
940963	TCH216	M16	140	1.3
940964	TCH316	M16	189	1.6

Standard specifications for flat type and brass jaw plate (2 pcs per set)

Order No.	No.	Compatible Bolt	Total Length	Weight kg
940965	TCH112S	M12	105	1.0
940966	TCH212S	M12	140	1.3
940967	TCH312S	M12	189	1.6
940968	TCH116S	M16	105	1.0
940969	TCH216S	M16	140	1.3
940970	TCH316S	M16	189	1.6

## Screw

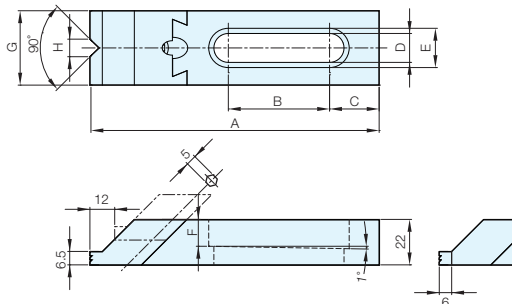


(Price for 1 piece)

Compatible Models	Order No.	No.
All sizes	908898	TCL-SP

## Detail Dimensions

Thin type

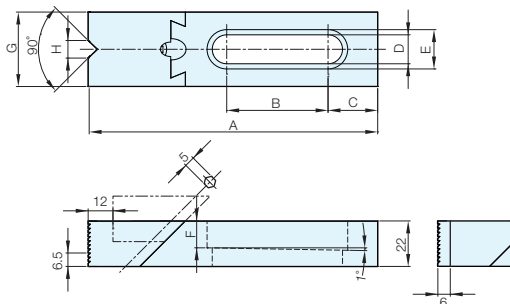


Standard specifications for thin type, specifications for brass jaw plate

(2 pcs per set)

No.	A	B	C	D	E	F	G	H
TAC1	106	27	15	15	23	14	38	10
TAC2	140	47	25	15	23	14	38	10
TAC3	189	72	37	15	23	14	38	10
TCL112(S)	105	31	14	14	19	13	36	8.5
TCL212(S)	140	49	24	14	19	13	36	8.5
TCL312(S)	189	74	37	14	19	13	36	8.5
TCL116(S)	105	27	15.5	17	25	13	36	8
TCL216(S)	140	46	25	17	25	13	36	8
TCL316(S)	189	72	38	17	25	13	36	8

Flat



Standard specifications for flat type, specifications for brass jaw plate

No.	A	B	C	D	E	F	G	H
TCH112(S)	105	31	14	14	19	13	36	8.5
TCH212(S)	140	49	24	14	19	13	36	8.5
TCH312(S)	189	74	37	14	19	13	36	8.5
TCH116(S)	105	27	15.5	17	25	13	36	8
TCH216(S)	140	46	25	17	25	13	36	8
TCH316(S)	189	72	38	17	25	13	36	8

Jig Set-up Systems  
(Q-lock)

Base Elements

Clamp Units

Clamping Parts

Mechanical Parts

Machine Vises

Surface Plates and  
Measurement Instruments

Index