

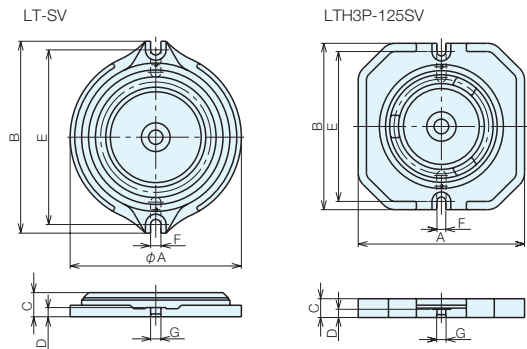
RoHS Compliant

Machine Vise Series Accessories

ERON®

No.E-9275B

Rotating Tables



Specifications

Compatible Models	Order No.	No.	A	B	C	D	E	F	G	Weight (kg)
LT100M	932182	LT100M-SV	228	256	34	14	232	15	18	4.5
LT125M	932183	LT125M-SV	248	283	34	14	255	16	18	7
LT150M,LT150L,LTHPD150	932184	LT150M-SV	298	334	42	16	320	18	18	12
LT200M	932185	LT200M-SV	409	425	57	28	379	24	18	32

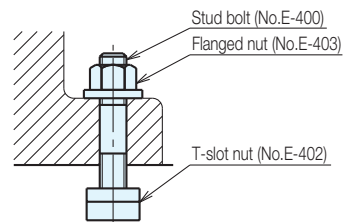
RoHS Compliant

Machine Vise Series Accessories

ERON®

No.E-9275B

Mounting Bolts



Specifications

(2 pieces per set)

Compatible Groove Width	Compatible Models	Order No.	No.	T-slot Nut	Flanged Nut	Stud Bolt
12	LT100M	935843	BTS12A	TNM1210	FNM0010	BM01075
14	LT100M,LT125M,LT150M,LT150L,LTH3P-125,LTH3P-150S,LT-HPD150	935844	BTS14A	TNM1412	FNM0012	BM01275
16	LT100M,LT125M,LT150M,LT150L,LTH3P-125,LTH3P-150S,LT-HPD150	935845	BTS16A	TNM1614	FNM0014	BM01475
18	LT150M,LT200M,LT250M,LT150L,LTH3P-150S,LT-HPD150	935846	BTS18A	TNM1816	FNM0016	BM16100
18	LT100M,LT125M,LTH3P-125	935847	BTS18B	TNM1814	FNM0014	BM01475
20	LT200M,LT250M	935849	BTS20A	TNM2018	FNM0018	BM18100
20	LT150M,LT150L,LTH3P-150S	935850	BTS20B	TNM2016	FNM0016	BM16100
22	LT200M,LT250M	935852	BTS22A	TNM2220	FNM0020	BM20100