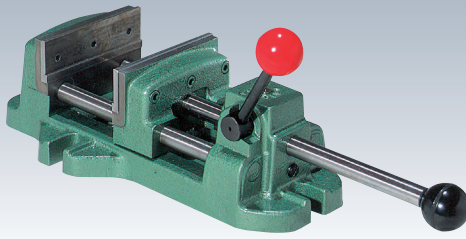
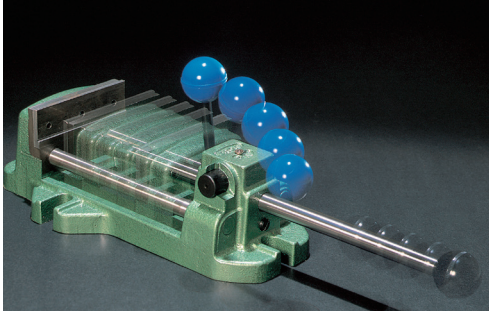


EVS type



EPA type



Speedy opening and closing using the cam lock mechanism!

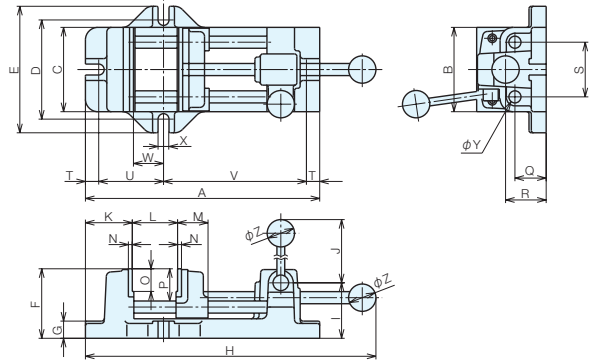
RoHS Compliant



No.E-9250

Quick Action Drill Press Vises

- **ERON** Quick Action Drill Press Vises are new types of drilling vises that employ a cam lock mechanism.
- The time taken to clamp the workpiece can be reduced by 50% compared to screw type vises.
- Optimal for drilling machine work.
- The main components are hardened and have a ground finish, offering high accuracy and long life.



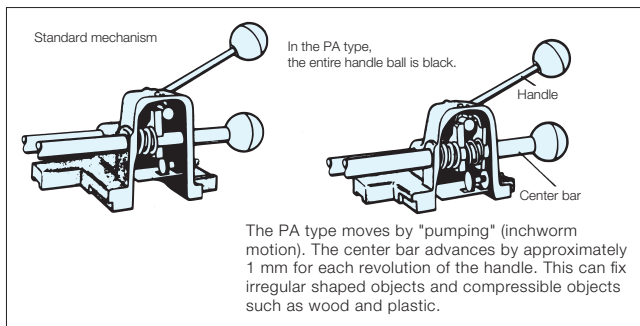
Size Chart

No.	A	B	C	D	E	F	G	H	I	J	K
EVS 75-3 (EPA 75-3)	238	82	80	104	122	76	18	277.5 - 357.5	56	113	48
EVS100-4 (EPA100-4)	300	108	108	128	162	89	22	352 - 462	71	113	60
EVS150-6 (EPA150-6)	374	156	155	187	225	99	22	433 - 579	80.5	124.5	73
EVS200-8	454	207	205	234	274	114	25	407 - 703	95	139	85

No.	L	M	N	O	P	Q	R	S	T	U	V	W	X	Y	Z
EVS 75-3 (EPA 75-3)	4 - 78	40	5	19	37.75	32	38	56	15	83	130	50	13	12.5	35
EVS100-4 (EPA100-4)	4 - 120	41	5	29	41.25	40	55	70	17	83	182	40	14	15.5	35
EVS150-6 (EPA150-6)	4 - 160	44	5	29	49.5	40	54	108	19	122	221	68	18	19	35
EVS200-8	4 - 210	51	5	29	51.5	50	69	152	22	150	260	87	18	25	40

Specifications

Order No.	No.	Jaw Width	Jaw Depth	Jaw Opening	Pumping	Clamping Force (kN)	Weight (kg)
900514	EVS 75-3	82	38	78	No	5	4.5
900515	EVS100-4	108	40	120	No	5	8.3
900516	EVS150-6	156	50	160	No	6.5	14.0
900517	EVS200-8	207	50	205	No	7	23.0
900518	EPA 75-3	82	38	78	Yes	5	4.5
900519	EPA100-4	108	40	120	Yes	5	8.3
900520	EPA150-6	156	50	160	Yes	6.5	14.0



Reference Pages



Jig Set-up Systems (Q-lock)

Base Elements

Clamp Units

Clamping Parts

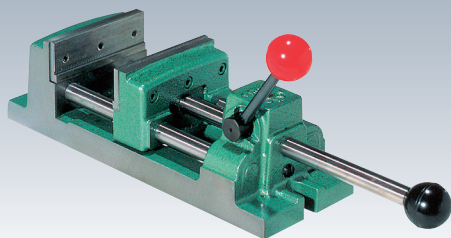
Mechanical Parts

Machine Vises

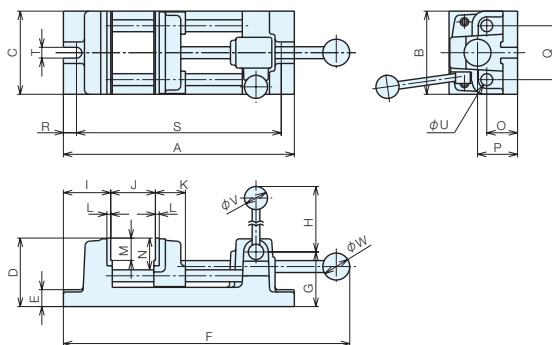
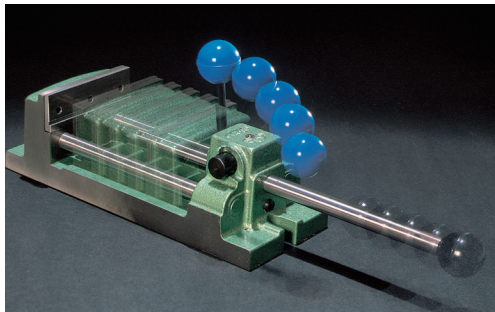
Surface Plates and Measurement Instruments

Index

ETS type



ETPA type



Size Chart

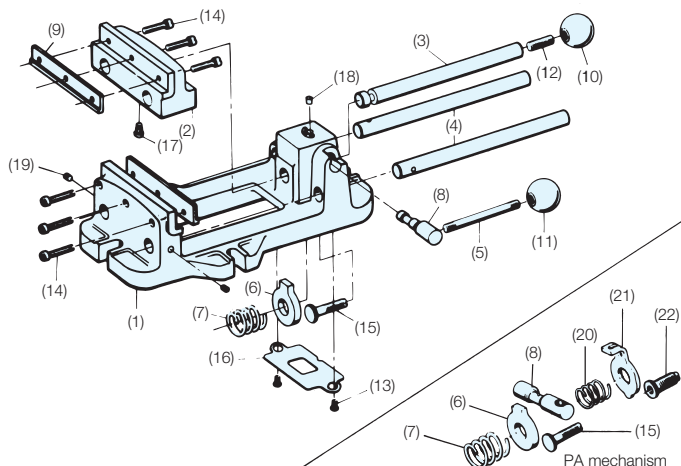
No.	A	B	C	D	E	F	G	H	I	J
ETS75-3 (ETPA75-3)	238	79	82	76	18	277.5 - 357.5	56	113	48	4 - 78
ETS100-4 (ETPA100-4)	300	105	108	89	22	352 - 462	71	113	61.5	4 - 120

No.	K	L	M	N	O	P	Q	R	S	T	U	V	W
ETS75-3 (ETPA75-3)	33	5	19	37.75	32	38	56	15	206	13	12.5	25	25
ETS100-4 (ETPA100-4)	39	5	29	41.25	40	52	70	17	266	14	15.5	30	35

Specifications

Order No.	No.	Jaw Width	Jaw Depth	Jaw Opening	Pumping	Clamping Force (kN)	Weight (kg)
900522	ETS 75-3	75	31	76	No	5	4.5
900523	ETS 100-4	100	33	119	No	5	8.2
900524	ETPA 75-3	75	31	76	Yes	5	4.5
900525	ETPA100-4	100	33	119	Yes	5	8.2

Parts Detail (EVS, EPA, ETS, ETPA)



No.	Part Name	Number Used
(1)	Main body	1
(2)	Sliding jaw	1
(3)	Center bar	1
(4)	Guide bar	2
(5)	Handle	1
(6)	Locking ring	1
(7)	Spring	1
(8)	Crank	1
(9)	Jaw plate	2
(10)	Knob (black)	1
(11)	Knob (red) (black)	1
(12)	Stud	1
(13)	Set screw for retainer plate	2
(14)	Set screw for jaw plate	6
(15)	Adjustment bolt	1
(16)	Retainer plate	1
(17)	Center set screw	1
(18)	Oil cap with ball	1
(19)	Set screw for guide bar	2
(20)	PA spring	1
(21)	PA feed plate	1
(22)	PA adjustment screw	1