

No.E-9165

## Stands for Cast Iron Surface Plates

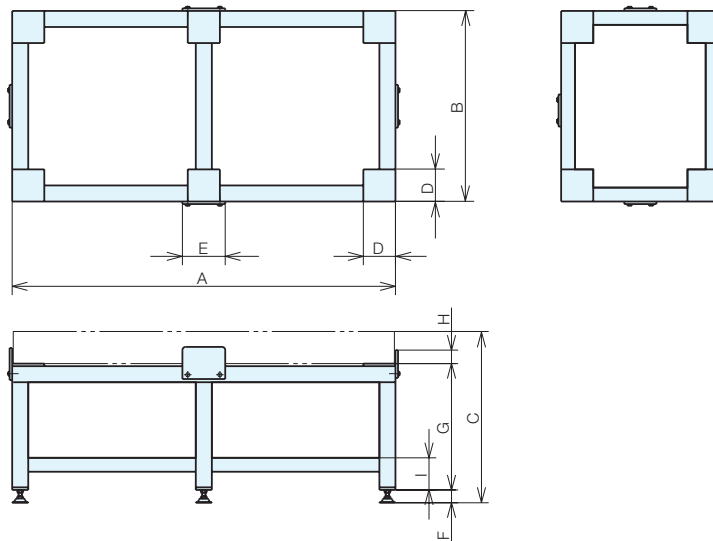
**Material** Rolled steel    **Structure** Welded construction

**Painting Position** Steel on all faces

- Stand exclusively for cast iron surface plates.
- Surface plates can be setup directly and quickly. (The surface plate alone cannot be finely adjusted)  
If you require fine adjustment of the surface plate alone, a stand with leveling block can be custom made.
- Stoppers prevent the surface plate from shifting or falling.
- Surface plate height (C dimension adjustment) is possible by level adjustment using a foot jack.

CP09018-SA, CP10015-SA,  
CP10020-SA, CP12012-SA,  
CP12018-SA, CP12024-SA,  
CP15030-SA (6 legs)

CP04560-SA, CP05075-SA,  
CP06060-SA, CP06090-SA,  
CP07510-SA, CP09090-SA,  
CP09012-SA, CP10010-SA,  
CP10012-SA (4 legs)



Jig Set-up Systems  
(Q-lock)

Base Elements

Clamp Units

Clamping Parts

Mechanical Parts

Machine Visas

Surface Plates and  
Measurement Instruments

Index

## Specifications

Order No.	No.	Compatible Surface Plates	Surface Plate Size	A	B	C	D
940818	CP04560-SA	CP04560	600 × 450	610	460	800	125
115821	CP05050-SA	CP05050	500 × 500	510	510	800	150
940819	CP05075-SA	CP05075	750 × 500	760	510	800	150
940820	CP06060-SA	CP06060	600 × 600	610	610	800	150
940821	CP06090-SA	CP06090	900 × 600	910	610	800	150
940822	CP07510-SA	CP07510	1000 × 750	990	740	800	150
940823	CP09090-SA	CP09090	900 × 900	890	890	800	150
940824	CP09012-SA	CP09012	1200 × 900	1190	890	800	150
940825	CP09018-SA	CP09018	1800 × 900	1790	890	800	150
940826	CP10010-SA	CP10010	1000 × 1000	990	990	800	150
940827	CP10012-SA	CP10012	1200 × 1000	1190	990	800	150
940828	CP10015-SA	CP10015	1500 × 1000	1490	990	800	150
940829	CP10020-SA	CP10020	2000 × 1000	1990	990	800	150
940830	CP12012-SA	CP12012	1200 × 1200	1220	1220	800	150
940831	CP12018-SA	CP12018	1800 × 1200	1820	1220	800	150
940832	CP12024-SA	CP12024	2400 × 1200	2420	1220	800	150
940833	CP15030-SA	CP15030	3000 × 1500	3020	1520	800	150

No.	E	F	G	H	I	Foot Jack No.	No. of Foot Jacks	Weight (kg)
CP04560-SA	150	50 - 100	630	63	140	FJ16100	4	47
CP05050-SA	150	50 - 100	650	63	140	FJ16100	4	51
CP05075-SA	150	50 - 100	630	63	140	FJ16100	4	57
CP06060-SA	150	50 - 100	630	63	140	FJ16100	4	52
CP06090-SA	150	50 - 100	630	63	140	FJ16100	4	57
CP07510-SA	150	50 - 100	600	53	140	FJ16100	4	63
CP09090-SA	150	50 - 100	600	58	150	FJ16100	4	73
CP09012-SA	150	50 - 100	600	58	150	FJ16100	4	82
CP09018-SA	200	50 - 100	590	58	150	FJ16100	6	124
CP10010-SA	150	50 - 100	600	58	150	FJ16100	4	78
CP10012-SA	150	50 - 100	590	68	150	FJ16100	4	83
CP10015-SA	200	50 - 100	590	78	150	FJ16100	6	116
CP10020-SA	200	50 - 100	590	78	150	FJ16100	6	133
CP12012-SA	200	50 - 100	590	78	150	FJ16100	6	121
CP12018-SA	200	50 - 100	550	78	150	FJ16100	6	134
CP12024-SA	200	50 - 100	530	108	150	FJC16100	6	181
CP15030-SA	200	50 - 100	470	98	150	FJC16100	6	228

\* Foot jack endurance load (FJ16100: 6 kN/unit, FJC16100: 17 kN/unit)

Jig Set-up Systems  
(Q-lock)

Base Elements

Clamp Units

Clamping Parts

Mechanical Parts

Machine Vises

Surface Plates and  
Measurement Instruments

Index