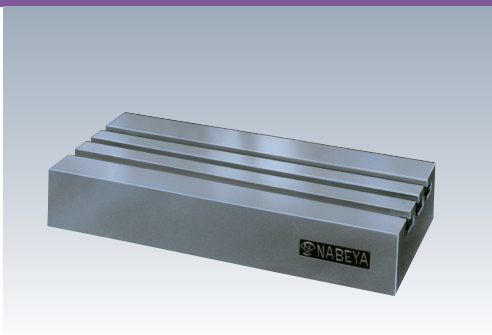




No.E-9132

# Surface Plates for Manufacturing



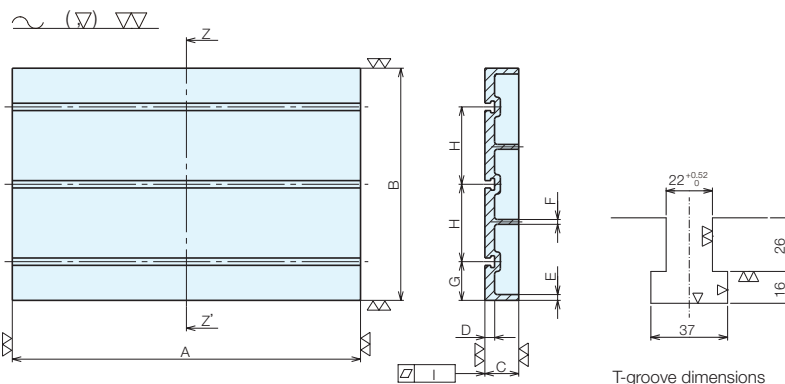
**Material** FC250

**Structure** Rib structure

**Heat Treatment** Annealing

**Used Surface** Machined Finish

- Optimal for works such as assembly, adjustment, and operation test for machinery and equipment.
- By using the T-slot, locating and fixing can be performed for jigs.
- Multiphasic arrangement is possible.



## Specifications and Prices

Order No.	No.	A × B × C	D	E	F	G	H	I	Number of T-slots	Maximum Allowable Load (kN)	Weight (kg)
900956	KT 1	900 × 900 × 125	40	25	20	305	290	0.052	2	31.5	334
900957	KT 2	1200 × 900 × 125	40	25	20	305	290	0.060	2	31.5	441
900958	KT 3	1800 × 900 × 150	50	25	20	305	290	0.084	2	31.5	783
902521	KT 3R	1500 × 1000 × 150	45	25	20	200	300	0.076	3	31.5	702
900959	KT 4	1800 × 1200 × 175	50	30	25	200	400	0.088	3	50	1199
900960	KT 5	2000 × 1000 × 150	50	30	25	250	250	0.092	3	31.5	1009
900961	KT 6	2400 × 1200 × 200	50	30	25	150	300	0.108	4	56	1672
900962	KT 7	3000 × 1500 × 250	60	35	35	210	360	0.136	4	90	3354

## Reference Pages



\* For the recommended T-slot nuts, see page 1201.

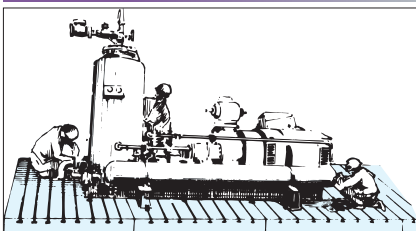
## About the Maximum Allowable Load

The maximum allowable load is the value calculated and set based on a "loading calculation" under the following conditions.

This should be used as a rough guide when selecting the surface plate.

- Load conditions: Load concentrated in the center
- Support conditions: Freely supported at both ends

## Usage Examples



Optimal for works such as test operation, machinery test, and assembly.

Jig Set-up Systems (Q-lock)

Base Elements

Clamp Units

Clamping Parts

Mechanical Parts

Machine Vises

Surface Plates and Measurement Instruments

Index