

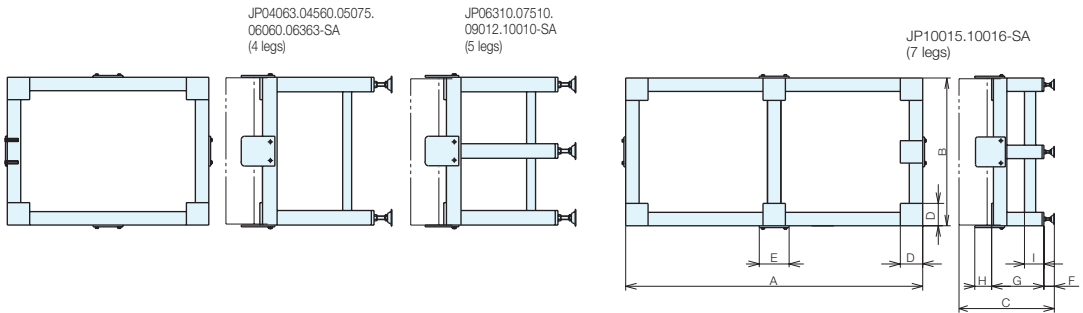
No.E-91305

Stands for JIS Type Cast Iron Surface Plates

Material Rolled steel **Structure** Welded construction

Painting Position Steel on all faces

- Stand exclusively for JIS type surface plates.
- Stoppers prevent the surface plate from shifting or falling.
- Surface plate height (C dimension) adjustment is possible by level adjustment using a foot jack.
- Stands for large surface plates are custom made.
(Large surface plates: JP10020, JP12024, JP16025)



Jig Set-up Systems
(Q-lock)

Base Elements

Clamp Units

Clamping Parts

Mechanical Parts

Machine Vises

Surface Plates and
Measurement Instruments

Index

Specifications

Order No.	No.	Compatible Surface Plates	Surface Plate Size	A	B	C
940795	JP04063-SA	JP04063	400 × 630	630	400	800
940796	JP04560-SA	JP04560	450 × 600	600	450	800
940797	JP05075-SA	JP05075	500 × 750	750	500	800
940798	JP06060-SA	JP06060	600 × 600	600	600	800
940799	JP06363-SA	JP06363	630 × 630	630	630	800
940800	JP06310-SA	JP06310	630 × 1000	1000	630	800
940801	JP07510-SA	JP07510	750 × 1000	1000	750	800
940802	JP09012-SA	JP09012	900 × 1200	1200	900	800
940803	JP10010-SA	JP10010	1000 × 1000	1000	1000	800
940804	JP10015-SA	JP10015	1000 × 1500	1500	1000	800
940805	JP10016-SA	JP10016	1000 × 1600	1600	1000	800

No.	D	E	F	G	H	I	Foot Jack No.	Foot Jack Quantity	Weight (kg)
JP04063-SA	125	150	45 - 120	530	83	140	FJ16100	4	50
JP04560-SA	125	150	45 - 120	530	83	140	FJ16100	4	49
JP05075-SA	125	150	45 - 120	510	83	140	FJ16100	4	57
JP06060-SA	150	150	45 - 120	520	83	140	FJ16100	4	56
JP06363-SA	150	150	45 - 120	500	83	140	FJ16100	4	65
JP06310-SA	150	150	45 - 120	440	108	150	FJ16100	5	76
JP07510-SA	150	150	45 - 120	430	108	150	FJ16100	5	78
JP09012-SA	150	150	45 - 120	430	108	150	FJ16100	5	84
JP10010-SA	150	150	45 - 120	410	108	150	FJ16100	5	82
JP10015-SA	150	200	45 - 120	380	108	140	FJC16100	7	158
JP10016-SA	150	200	45 - 120	380	108	140	FJC16100	7	160

* Foot jack endurance load (FJ16100: 6 kN/unit, FJC16100: 17 kN/unit)