

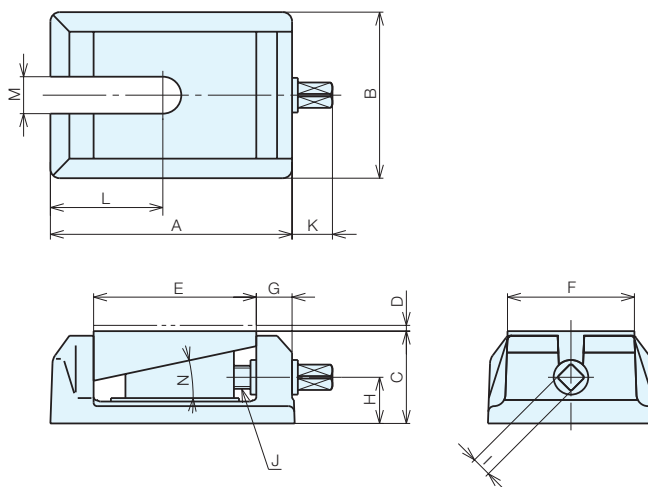
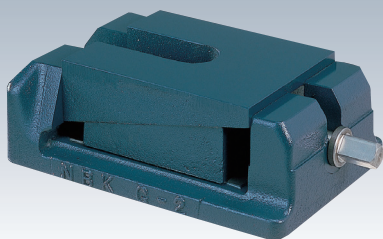
RoHS Compliant

NBK®

No.E-9123

Leveling Block Type G

- Offers high accuracy.
- Can be fixed using an anchor bolt after accuracy adjustment.
- Optimal for large machines and large surface plates.
- Useful for centering for large workpieces.



Size Chart

No.	A	B	C	D	E	F	G	H	I	J (Coarse Thread)	K	L	M	N
G1	212	144	80	5	141	110	31	40	17	M20 × 2.5	35	98	32	12°
G2	258	174	85.5	6	170	130	35	42	17	M20 × 2.5	36	126	40	12°
G3	328	212	112	6	218	170	49	56	22	M27 × 3	42	155	50	11° 18'

Specifications

Order No.	No.	Stroke	Lifting Height	Maximum Allowable Load (kN)	Weight (kg)
902104	G1	80 - 85	5	25	10
902105	G2	85.5- 91.5	6	45	16
902106	G3	112 -118	6	70	34

Jig Set-up Systems
(Q-lock)

Base Elements

Clamp Units

Clamping Parts

Mechanical Parts

Machine Vises

Surface Plates and
Measurement Instruments

Index