

RoHS Compliant

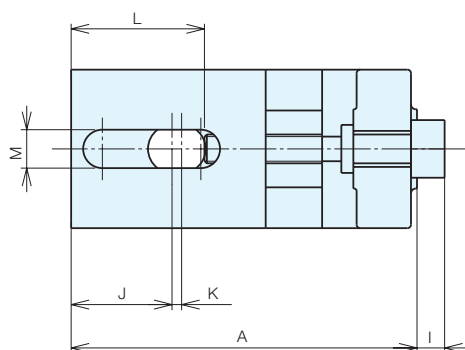
NBK®

No.E-9123

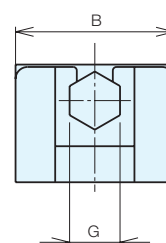
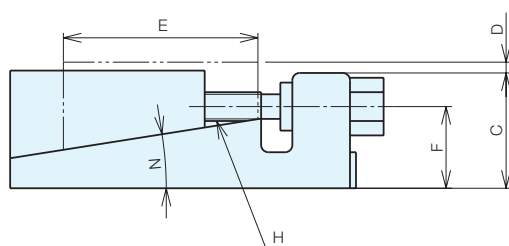
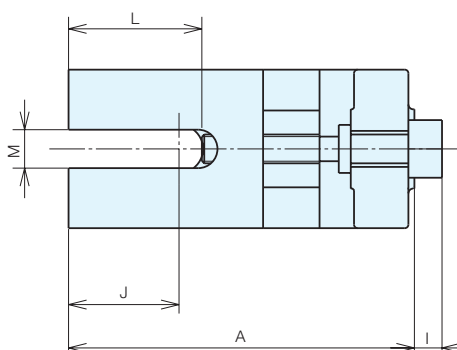
Leveling Block Type B

- Easy installation.
- Using an anchor bolt together enables you to keep your object level.
- Low cost.
- Compatible with varieties of machines such as planers, milling machines, and surface plates.

B1-B3



B3T



Size Chart

No.	A	B	C	D	E	F	G	H (Coarse Thread)	I	J	K	L	M	N
B1	141.5	66	48.5	4	81	34.5-38.5	21	M12 × 1.75	11.5	41.5	5	53	16	9°
B2	184	76	60.5	4	107	46 -50	26	M16 × 2	14	67	-	79	18	9°
B3 • B3T	205	122	71	5	123	52.5-57.5	29	M20 × 2.5	18.5	83	-	96	30	9°

Specifications

Order No.	No.	Stroke	Lifting Height	Maximum Allowable Load (kN)	Weight (kg)
902095	B1	48.5-52.5	4	5	2.7
902096	B2	60.5-64.5	4	10	5.0
902097	B3	71 -76	5	15	9.2
908360	B3T	71 -76	5	15	9.0

Jig Set-up Systems
(Q-lock)

Base Elements

Clamp Units

Clamping Parts

Mechanical Parts

Machine Vises

Surface Plates and
Measurement Instruments

Index