

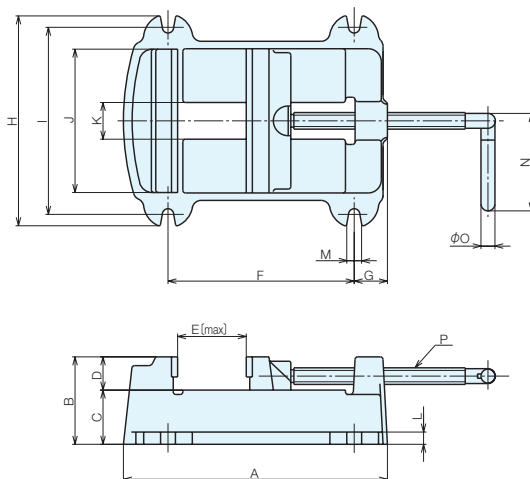
RoHS Compliant



No.E-9103

Type A Vise for Medium-size Drill Press

- The center groove lets the movable body slide smoothly. This vise is designed enough to withstand a strong clamping force.
- FC250 is used for the main body and the movable body so that the vise will not break even under heavy duties.
- Because of the flat fine finish specially for the bottom surface, the vise does not wobble or incline on the drilling machine table.



Size Chart

No.	A	B	C	D	E	F	G	H	I
BETA- A75	195	64	41	23	77	130	30	143	116
BETA-A100	227	76	49.5	26.5	100	151	35	171	145
BETA-A125	268	91	57	34	125	185	38	218	171
BETA-A150	302	100	64	38	150	213	38	240	193

No.	J	K	L	M	N	O	P
BETA- A75	83	23.5	12	10	90	12.5	ϕ 16-8 threads per inch 29°
BETA-A100	110	23.5	16	10	100	16	ϕ 19-6 threads per inch 29°
BETA-A125	138	34	14	12	110	16	ϕ 19-6 threads per inch 29°
BETA-A150	164	42	14	13	120	16	ϕ 19-6 threads per inch 29°

Specifications and Prices

Order No.	No.	Jaw Width	Jaw Depth	Jaw Opening	Weight (kg)
900483	BETA- A75	83	23	77	3.1
900484	BETA-A100	110	26.5	100	4.8
900485	BETA-A125	138	34	125	8.1
900486	BETA-A150	164	38	150	10.5

Parts Prices

Jaw plates (2 pieces per set)

Compatible Models	Order No.	No.
A 75	930964	BETA-A75-JA
A100	930965	BETA-A100-JA
A125	930966	BETA-A125-JA
A150	930967	BETA-A150-JA

Spindle

Compatible Models	Order No.	No.
A 75	943919	BETA-A75-SP
A100	943920	BETA-A100-SP
A125	943921	BETA-A125-SP
A150	943922	BETA-A150-SP

Jig Set-up Systems
(Q-lock)

Base Elements

Clamp Units

Clamping Parts

Mechanical Parts

Machine Vises

Surface Plates and
Measurement Instruments

Index