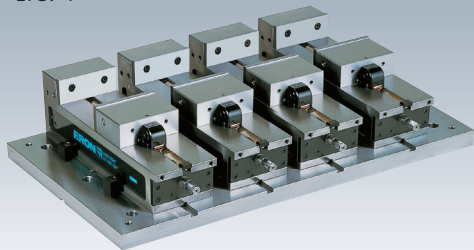


LTCV-4



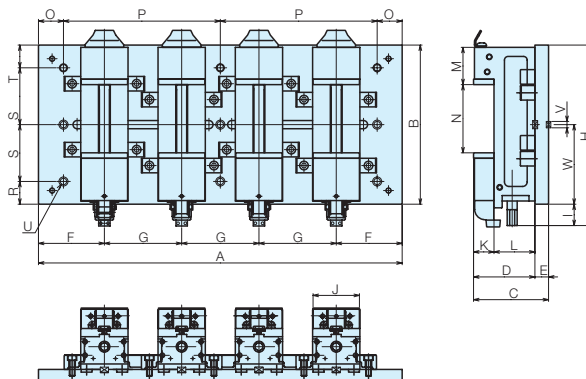
RoHS Compliant



No.E-9990T

Lock-Tight CV Precision Machine Visas - Multiple Jaw Visas

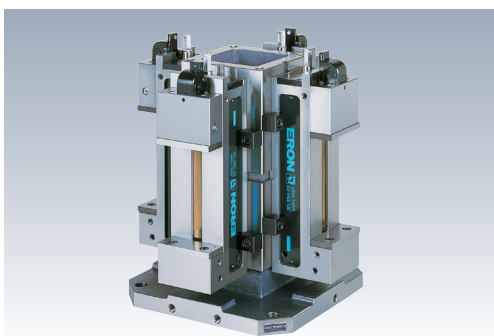
Accessories Guide block ... 2 pieces per set
Handle ... 1 piece



*Dimensions O to W are user specification
O to U are mounting hole dimensions
V and W are the guide block width and position

Specifications

| Order No. | No. | Used Vise | A | B | C | D | E | F | G | H | I | J | K | L | M | N | Weight (kg) |
|-----------|------------|-----------|------|-----|-----|-----|----|-----|-----|-----|----|-----|----|-----|----|-------|-------------|
| 976499 | LTCV100-4 | LTCV100 | 800 | 350 | 165 | 135 | 30 | 145 | 170 | 397 | 47 | 102 | 45 | 90 | 82 | 0-145 | 150 |
| 976500 | LTCV125-4 | LTCV125 | 900 | 400 | 170 | 140 | 30 | 165 | 190 | 455 | 55 | 125 | 50 | 90 | 82 | 0-210 | 206 |
| 976501 | LTCV160-4 | LTCV160 | 1000 | 550 | 200 | 160 | 40 | 185 | 210 | 558 | 8 | 160 | 60 | 100 | 82 | 0-300 | 372 |
| 986422 | LTCV100H-4 | LTCV100H | 800 | 350 | 165 | 135 | 30 | 145 | 170 | 398 | 48 | 102 | 45 | 90 | 82 | 0-145 | 152 |
| 986425 | LTCV125H-4 | LTCV125H | 900 | 400 | 170 | 140 | 30 | 165 | 190 | 456 | 56 | 125 | 50 | 90 | 82 | 0-210 | 206 |
| 986428 | LTCV160H-4 | LTCV160H | 1000 | 550 | 200 | 160 | 40 | 185 | 210 | 559 | 9 | 160 | 60 | 100 | 82 | 0-300 | 372 |



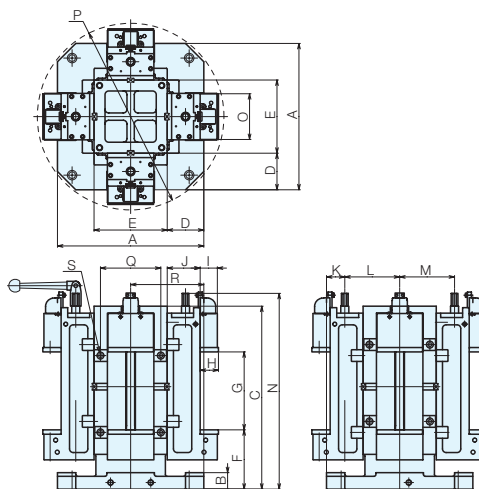
RoHS Compliant



No.E-9990I

4 Faces/Lock-Tight CV Precision Machine Visas

- Optimal for use as the jig for horizontal machining centers.
- Combines an MC Tooling Block with 4 CV precision vises. This is our most general-purpose jig.



Specifications

| Order No. | No. | Used Vise | A | B | C | D | E | F | G | H | I | J | K | L | M | N | O | P | Q | R | S (Case Thread) | Weight (kg) |
|-----------|---------------|-----------|-----|----|-----|-----|-----|-----|-----|----|----|-----|-----|-----|-----|-----|-----|------|-----|-----|--------------------|-------------|
| 976502 | LTCV125-400-4 | LTCV125 | 400 | 35 | 500 | 100 | 200 | 162 | 210 | 50 | 47 | 90 | 50 | 150 | 150 | 535 | 125 | φ510 | 165 | 200 | M16x2 | 240 |
| 976503 | LTCV160-500-4 | LTCV160 | 500 | 40 | 600 | 125 | 250 | 162 | 300 | 60 | 57 | 100 | 67 | 183 | 183 | 638 | 160 | φ730 | 200 | 250 | M16x2 | 385 |
| 976504 | LTCV160-630-4 | LTCV160 | 630 | 55 | 600 | 190 | 250 | 177 | 300 | 60 | 57 | 100 | 132 | 183 | 183 | 653 | 160 | φ810 | 200 | 315 | M16x2 | 435 |

Lock-Tight CV Precision Machine Visas - Multiple Jaw Visas/4 Faces/Lock-Tight CV Precision Machine Visas

Jig Set-up Systems (Q-lock)

Base Elements

Clamp Units

Clamping Parts

Mechanical Parts

Machine Visas

Surface Plates and Measurement Instruments

Index