RoHS Compliant **NEW****ERON**[®]

No.E-9659X

Attachment Plate for 2-Face Angle Plates (with Magnetic Chucks)

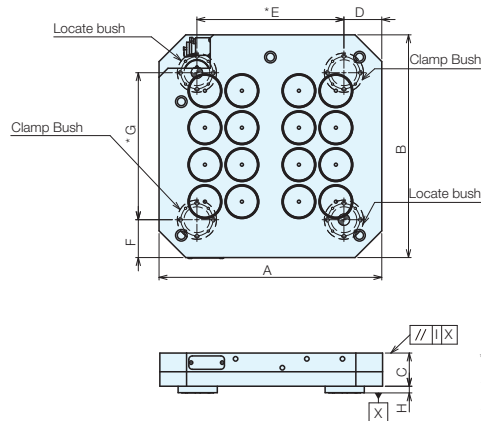
Material Plate: S50C Magnetic Chuck: Structural steel
Q-Lock Elements: SCM440

Heat Treatment Plate: Annealing
Q-Lock Elements: Heat treatment (HRC55)

Surface Treatment Q-Lock Elements: Non-electrolytic plating

Accessories Controller 1 unit

- This is an attachment plate with magnetic chuck for 2 Faces/MC Tooling Blocks with Q-Lock Elements.
- Locating holes are fitted with hardened bushes, and finished with a high pitch accuracy of ± 0.015 .



Specifications and Prices

Order No.	No.	A	B	C	D	E	F	G	H	I	Locating Pin	Clamp Pin	Weight (kg)
122217	MTBP500HD70S-QPL	500	500	74	85	330	85	330	15	0.02	QLT40RB	QLT40CB	135
122218	MTBP630HD70S-QPL	630	630	74	65	500	90	450	15	0.02	QLT40RB	QLT40CB	190

Jig Set-up Systems
(Q-lock)

Base Elements

Clamp Units

Clamping Parts

Mechanical Parts

Machine Vises

Surface Plates and
Measurement Instruments

Index