

RoHS Compliant

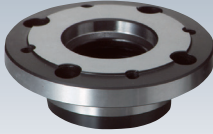
ERON®

No.E-9659C

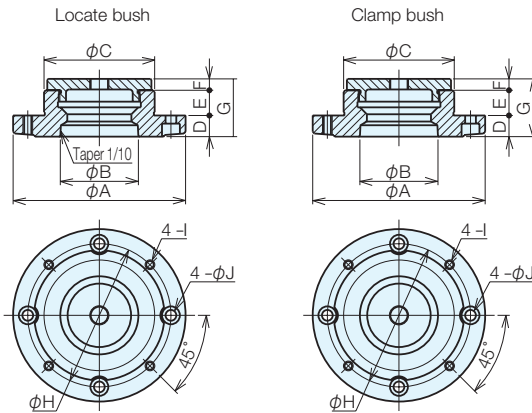
Q-Lock Elements/Bushes (Hydraulic Type)

Material Main body: SCM420

Heat Treatment Main body: HRC55 heat treatment



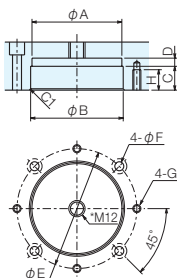
Types and External Dimensions



Bush Specifications

Type	Order No.	No.	A	B	C ^{h 5}	D ^{±0.003}	E	F	G	H	I (Coarse Thread)	J	Weight (kg)
Locate bush	971082	QL03RB	66	32	45	10	13.5	6	29.5	54	M5 × 0.8	5.5	0.4
	968857	QL07RB	90	40	58	11.5	12.5	7	31	72	M6 × 1.0	6.6	0.8
	968858	QL10RB	106	48	68	13	15.5	7	35.5	88	M6 × 1.0	6.6	1.2
	968859	QL16RB	120	55	82	14	19	8	41	100	M8 × 1.25	9	1.8
	968860	QL25RB	130	55	82	16	19	8	43	108	M10 × 1.5	11	2.2
Clamp Bush	971083	QL03CB	66	31.9	45	10	13.5	6	29.5	54	M5 × 0.8	5.5	0.4
	968861	QL07CB	90	39.8	58	11.5	12.5	7	31	72	M6 × 1.0	6.6	0.8
	968865	QL10CB	106	47.8	68	13	15.5	7	35.5	88	M6 × 1.0	6.6	1.2
	968866	QL16CB	120	54.8	82	14	19	8	41	100	M8 × 1.25	9	1.8
	968867	QL25CB	130	54.8	82	16	19	8	43	108	M10 × 1.5	11	2.2

Mounting Dimensions



No.	A	B ^{H7}	C	D	E	F	G	H
QL03	44.5	45	14	7	54	5.5	M 5	13
QL07	57	58	14.5	6	72	6.6	M 6	15
QL10	67	68	17.5	6	88	6.6	M 6	15
QL16	81	82	21	7	100	9	M 8	15
QL25	81	82	21	7	108	11	M10	20

* For the M12, use a plug as a lid. If you cannot unclamp due to hydraulic trouble, detach by using this hole.

 Jig Set-up Systems
(Q-lock)

Base Elements

Clamp Units

Clamping Parts

Mechanical Parts

Machine Vises

 Surface Plates and
Measurement Instruments

Index