

**NEW**



No.E-9460

# Wedge Clamping System

**Material** Base: S50C  
Fixed block, Main body, Movable part: SCM440

**Heat Treatment** Base, Movable body:  
HRC50 ± 3 heat treatment  
Main body, Fixed block:  
HRC30 ± 3 heat treatment

**Surface Treatment** Blackened

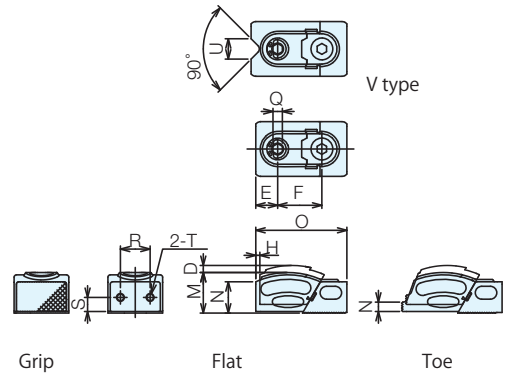
## Specifications and Prices

Type	Jaw Width	Jaw Opening (Even)	Total Length	Weight (kg)	Order No.	No.
<b>Movable Parts (Flat) 2 pcs</b> 	35	76.7	300	2.5	125692	KCS08300S
	35	126.2	400	3.2	125693	KCS08400S
	35	175.7	500	4.3	125694	KCS08500S
	45	56.5	300	4.5	125695	KCS12300S
	45	106.9	400	5.3	125696	KCS12400S
	45	156.8	500	6	125697	KCS12500S
	45	206.8	600	6.8	125699	KCS12600S

## Movable Part



## Movable part



## Specifications and Prices for Movable Part

Order No.	No.	Movable Body Shape	Jaw Width	E	F	M	N	O	Q	R	S	T (Coarse Thread)	Weight (kg)
125707	KCS08- FJ	Flat	35	14	28.3	26	19	58.5	6	19	9	M5xP0.8x8	0.3
125708	KCS12-FJ	Flat	45	17	35.7	32.5	25	75	10	25	12	M6xP1.0x9	0.7
125709	KCS08- TJ	Toe	35	20	28.3	26	7	64.5	6	-	-	-	0.4
125710	KCS12-TJ	Toe	45	28	35.7	32.5	8	86	10	-	-	-	0.7
125711	KCS08-GJ	Grip	35	15.5	28.3	26	19.5	60	6	-	-	-	0.3
125712	KCS12- GJ	Grip	45	18.5	35.7	32.5	25	76.5	10	-	-	-	0.7
125713	KCS08- VJ	V type	35	17	28.3	26	18	61.5	6	13	-	-	0.4
125715	KSC12- VJ	V type	45	25	35.7	32.5	21	83	10	21	-	-	0.7

Jig Set-up Systems (Q-lock)

Base Elements

Clamp Units

Clamping Parts

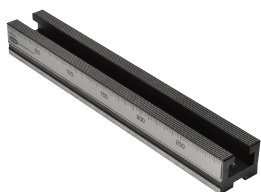
Mechanical Parts

Machine Vises

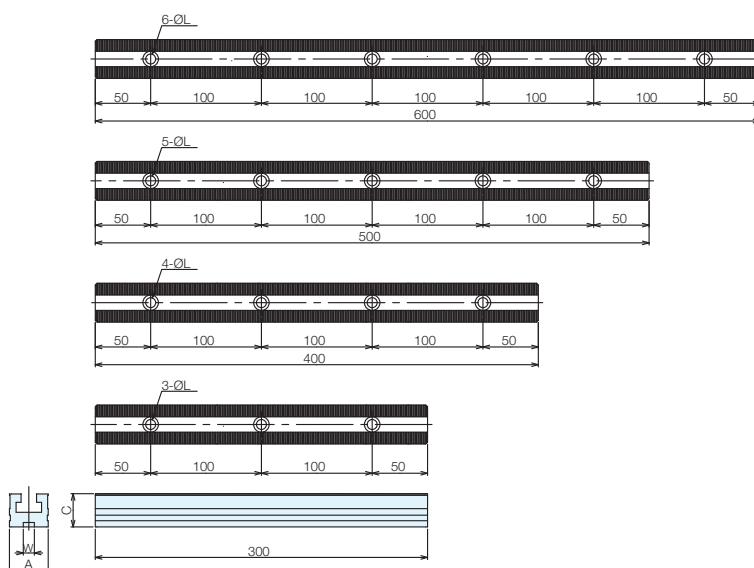
Surface Plates and Measurement Instruments

Index

### ■ Main Body



### ■ Main body



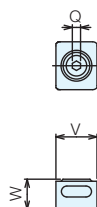
### ■ Specifications and Prices for Main Body

Order No.	No.	A	C	L	W	Weight (kg)
125700	KCS08-300-B	35	30	9	10	1.6
125701	KCS08-400-B	35	30	9	10	2.1
125702	KCS08-500-B	35	30	9	10	2.7
125703	KCS12-300-B	45	35	11	14	2.3
125704	KCS12-400-B	45	35	11	14	3.1
125705	KCS12-500-B	45	35	11	14	3.9
125706	KCS12-600-B	45	35	11	14	4.7

### ■ Fixed Block



### ■ Fixed block



### ■ Specifications and Prices for Fixed Block

Order No.	No.	V	Weight (kg)
125716	KCS08-KB	21.5	0.2
125717	KCS12-KB	27.5	0.4

Jig Set-up Systems  
(Q-lock)

Base Elements

Clamp Units

Clamping Parts

Mechanical Parts

Machine Vises

Surface Plates and  
Measurement Instruments

Index