

RoHS Compliant

No.E-9159

MC Tooling Blocks (4 Faces/Standard Type)

Material FC250 **Heat Treatment** Annealing

Surface Treatment Painting (Cast Surface)

Accessories Top Plates, Set Screws for Top Plate, Eye Bolts

- 0.4-0.5mm of self-cut allowance is included on the used surface.
- The same accuracy as the machine you are using is possible from the self-cut.
- Your preferred machining such as T-slots and tapping can be done using the machine you are using.
- Bottom and 2 adjacent edge locator surfaces can be ground finish, and top surface of base plate can be machined finish as options.

Jig Set-up Systems (Q-lock)

Base Elements

Clamp Units

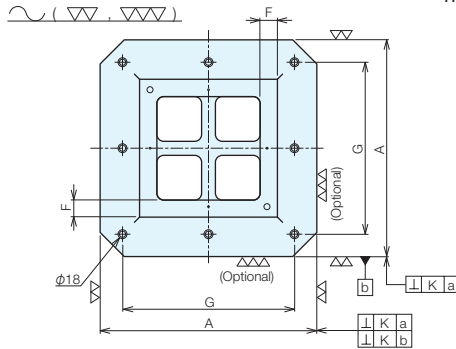
Clamping Parts

Mechanical Parts

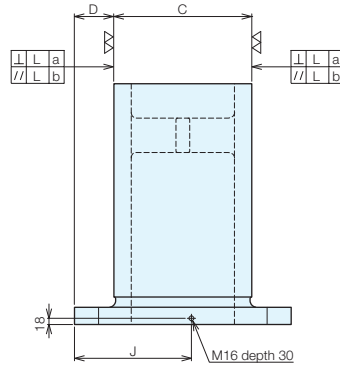
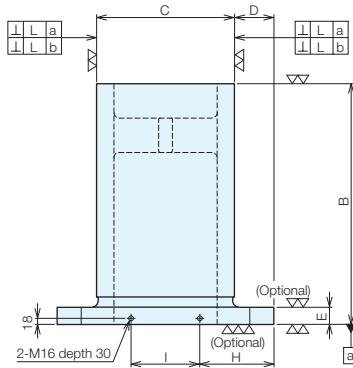
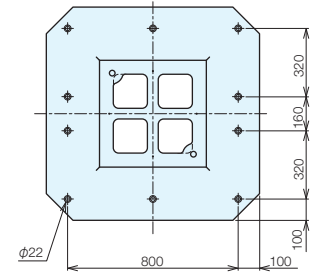
Machine Visas

Surface Plates and Measurement Instruments

Index



TBS10-***** only



Size Chart

No.	A	E	F	G	Mounting Hole Diameter	Number of Mounting Holes	H	I	J	K	L
TBS03-*****	300	25	40	-	-	0	-	-	-	0.02/300	0.02/300
TBS04-*****	400	50	50	320	φ 18	4	145	110	225	0.02/300	0.02/300
TBS05-*****	500	50	50	400	φ 18	4	175	150	275	0.02/300	0.02/300
TBS06-*****	630	50	50	500	φ 18	8	215	200	340	0.02/300	0.02/300
TBS08-*****	800	50	50	640	φ 18	8	265	270	425	0.02/300	0.02/300
TBS10-*****	1000	60	65	In figure	φ 22	10	335	330	525	0.02/300	0.02/300

Optional Ground Finish and Machined Finish

No.	K	L
<input type="checkbox"/> 300	0.01/500	0.01/300
<input type="checkbox"/> 400	0.01/500	0.01/300
<input type="checkbox"/> 500 (up to height 800)	0.01/500	0.01/300
<input type="checkbox"/> 500 (height 850 and over)	0.01/500	0.01/300
<input type="checkbox"/> 630 (up to height 800)	0.01/500	0.01/300
<input type="checkbox"/> 630 (height 850 or more)	0.01/500	0.01/300
<input type="checkbox"/> 800 (up to height 800)	0.01/500	0.01/300
<input type="checkbox"/> 800 (height 850 or more)	0.01/500	0.01/300
<input type="checkbox"/> 1000	0.01/500	0.01/300

Specifications

Order No.	No.	B	C	D	Weight (kg)	Order No.	No.	B	C	D	Weight (kg)
115210	TBS03-15035	350	150.8	74.6	57	115262	TBS06-35080	800	351	139.5	464
115211	TBS03-20035	350	200.8	49.6	75	115263	TBS06-40080	800	401	114.5	512
115212	TBS03-20040	400	200.8	49.6	84	115264	TBS06-45080	800	451	89.5	558
115213	TBS04-20045	450	200.8	99.6	141	115265	TBS06-30085	850	301	164.5	433
115214	TBS04-22045	450	225.8	87.1	154	115266	TBS06-35085	850	351	139.5	486
115215	TBS04-25045	450	250.8	74.6	166	115267	TBS06-40085	850	401	114.5	538
115216	TBS04-20050	500	200.8	99.6	153	115268	TBS06-45085	850	451	89.5	588
115217	TBS04-22050	500	225.8	87.1	167	115269	TBS06-30090	900	301	164.5	451
115218	TBS04-25050	500	250.8	74.6	181	115270	TBS06-35090	900	351	139.5	509
115219	TBS04-20055	550	200.8	99.6	164	115271	TBS06-40090	900	401	114.5	564
115220	TBS04-22055	550	225.8	87.1	180	115272	TBS06-45090	900	451	89.5	617
115221	TBS04-25055	550	250.8	74.6	196	115273	TBS06-35095	950	351	139.5	531
115222	TBS04-20060	600	200.8	99.6	175	115274	TBS06-40095	950	401	114.5	590
115223	TBS04-22060	600	225.8	87.1	193	115275	TBS06-45095	950	451	89.5	647
115224	TBS04-25060	600	250.8	74.6	211	115276	TBS06-35100	1000	351	139.5	553
115225	TBS04-20065	650	200.8	99.6	186	115277	TBS06-40100	1000	401	114.5	616
115226	TBS04-22065	650	225.8	87.1	206	115278	TBS06-45100	1000	451	89.5	676
115227	TBS04-25065	650	250.8	74.6	226	115279	TBS08-40070	700	401	199.5	646
115228	TBS04-20070	700	200.8	99.6	197	115280	TBS08-40080	800	401	199.5	716
115229	TBS04-22070	700	225.8	87.1	219	115281	TBS08-45080	800	451	174.5	782
115230	TBS04-25070	700	250.8	74.6	241	115282	TBS08-50080	800	501	149.5	847
115231	TBS05-25055	550	250.8	124.6	231	115283	TBS08-55080	800	551	124.5	910
115232	TBS05-30055	550	300.8	99.6	262	115284	TBS08-40085	850	401	199.5	750
115233	TBS05-35055	550	350.8	74.6	292	115285	TBS08-45085	850	451	174.5	822
115234	TBS05-25060	600	250.8	124.6	246	115286	TBS08-50085	850	501	149.5	892
115235	TBS05-30060	600	300.8	99.6	281	115287	TBS08-55085	850	551	124.5	962
115236	TBS05-35060	600	350.8	74.6	314	115288	TBS08-40090	900	401	199.5	785
115237	TBS05-25065	650	250.8	124.6	261	115289	TBS08-45090	900	451	174.5	862
115238	TBS05-30065	650	300.8	99.6	300	115290	TBS08-50090	900	501	149.5	937
115239	TBS05-35065	650	350.8	74.6	337	115291	TBS08-55090	900	551	124.5	1012
115240	TBS05-25070	700	250.8	124.6	276	115292	TBS08-40095	950	401	199.5	820
115241	TBS05-30070	700	300.8	99.6	318	115293	TBS08-45095	950	451	174.5	902
115242	TBS05-35070	700	350.8	74.6	359	115294	TBS08-50095	950	501	149.5	984
115243	TBS05-25075	750	250.8	124.6	291	115295	TBS08-55095	950	551	124.5	1062
115244	TBS05-30075	750	300.8	99.6	337	115296	TBS08-40100	1000	401	199.5	855
115245	TBS05-35075	750	350.8	74.6	381	115297	TBS08-45100	1000	451	174.5	942
115246	TBS05-25080	800	250.8	124.6	305	115298	TBS08-50100	1000	501	149.5	1029
115247	TBS05-30080	800	300.8	99.6	355	115299	TBS08-55100	1000	551	124.5	1112
115248	TBS05-25085	850	250.8	124.6	320	115300	TBS08-40105	1050	401	199.5	890
115249	TBS05-30085	850	300.8	99.6	374	115301	TBS08-45105	1050	451	174.5	983
115250	TBS05-25090	900	250.8	124.6	335	115302	TBS08-50105	1050	501	149.5	1074
115251	TBS06-30060	600	301	164.5	340	115303	TBS08-55105	1050	551	124.5	1163
115252	TBS06-45060	600	451	89.5	440	115304	TBS08-40110	1100	401	199.5	924
115253	TBS06-30070	700	301	164.5	377	115305	TBS08-45110	1100	451	174.5	1023
115254	TBS06-35070	700	351	139.5	420	115306	TBS08-50110	1100	501	149.5	1119
115255	TBS06-40070	700	401	114.5	460	115307	TBS08-55110	1100	551	124.5	1213
115256	TBS06-45070	700	451	89.5	499	115308	TBS08-40120	1200	401	199.5	995
115257	TBS06-30075	750	301	164.5	396	115309	TBS08-45120	1200	451	174.5	1103
115258	TBS06-35075	750	351	139.5	442	115310	TBS08-50120	1200	501	149.5	1209
115259	TBS06-40075	750	401	114.5	486	115311	TBS08-55120	1200	551	124.5	1314
115260	TBS06-45075	750	451	89.5	529	115312	TBS10-50850	850	501	249.5	1214
115261	TBS06-30080	800	301	164.5	414	115313	TBS10-60105	1050	601	199.5	1667

* Custom-made products to suit your specifications are also available.

Please specify your desired dimensions and weight.

Palette Size	B	C	Weight (kg)

Jig Set-up Systems
(Q-lock)

Base Elements

Clamp Units

Clamping Parts

Mechanical Parts

Machine Vises

Surface Plates and
Measurement Instruments

Index